

PCB LAYOUT RECOMMENDED

NOTES:

*Material

Housing: LCP UL 94V-0, Color:Black;
 Contact: Phosphor Bronze;
 Plating: Au plating on contact area;
 Sn (80u" Min.) plating on solder tail;
 Ni (50u" Min.) underplating overall.

*Mechanical

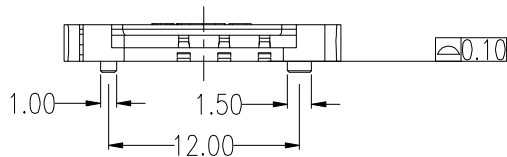
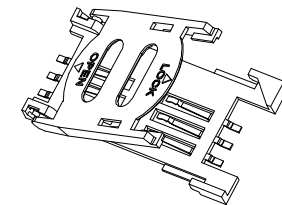
Durability: 3000 Cycles.

*Specification:

Current Rating: 0.5A, 12V AC.;
 Dielectric Withstanding Voltage: AC 500V For 1 Minute;
 Insulation Resistance: 500MΩ Min.;
 Contact Resistance: 100mΩ Max.;

*Environmental

Operating Temperature: -20°C to +60°C;



Pin No.	Description
S1	Vcc (Voltage)
S2	RST
S3	CLK
S5	GND
S6	Vpp
S7	I/O

RoHS Compliant

TOLERANCES ARE

MORETHANALL
 PCB CONNECTORS
 Cable ASSEMBLIES

煜倫股份有限公司

www.morethanall.com

DRAWING BY CY

CHECKED BY GENIUS

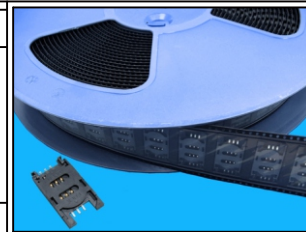
UNIT / mm SCALE 1 : 1

DATE

SIZE A4

X, ± 0.45
 .X ± 0.35
 .XX ± 0.25
 .XXX ± 0.15
 ANG ±

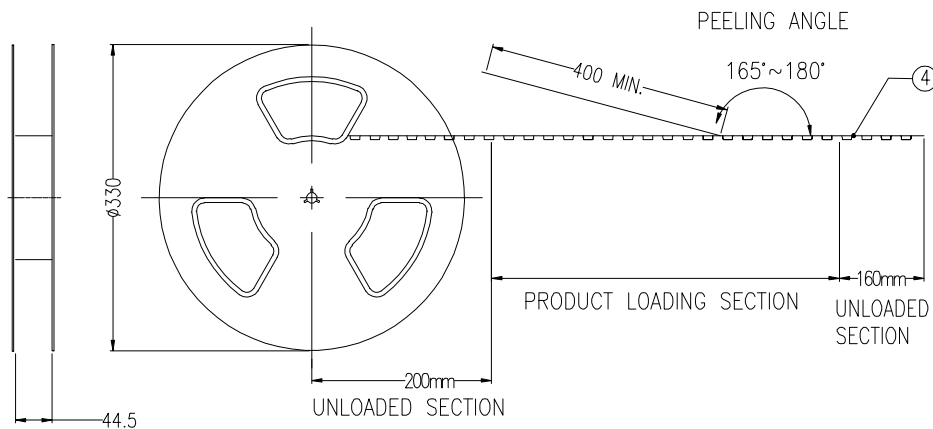
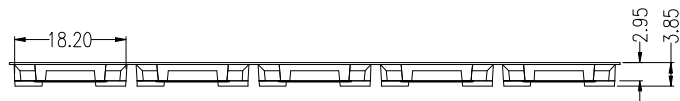
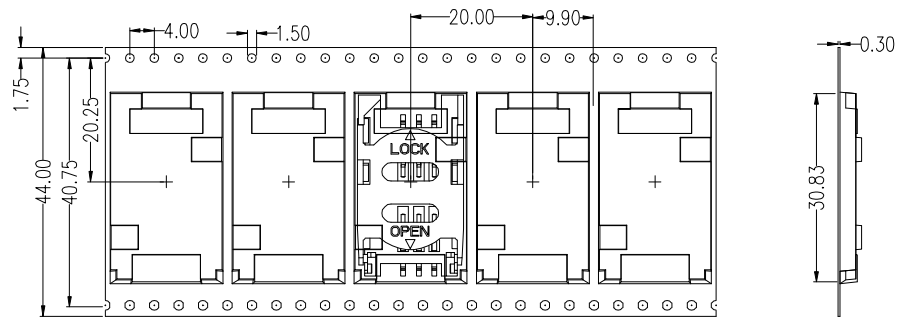
PJECTION



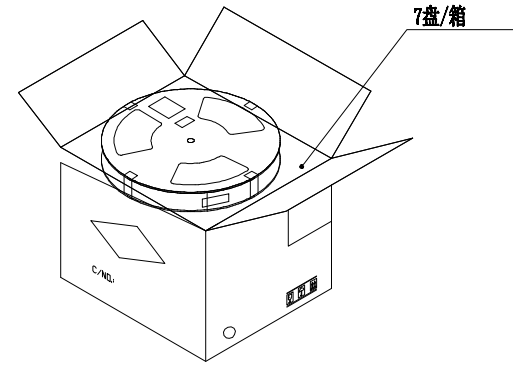
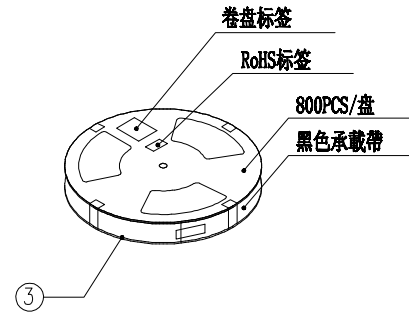
ORDER INFORMATION

SCV-W2523PR-06-LF
 SERIES | | | | LEADFREE
 | | | | 06WAY
 | | | | REEL
 | | | | WITH LOCATING PEG
 90°SMT | | | | BODY HIGH 2.3mm
 | | | | PAD TO PAD 25.2mm

DESCRIPTION: Sim Card 6Pin With Post



USER DIRECTION OF UNREELING →



360mmX365mmX460

说明:

1. 卷带中每位置放置一个产品, 每卷卷带的两端各预留约20cm不使用;
2. 边放产品边用封胶带封口, 1个卷盘放置800个产品;
3. 然后再卷一圈保护带, 保护带最后重叠约50MM, 用皱纹胶纸将其封住;
4. 每7放入1个外箱; 放入天地板和护脚。
5. 此部品, 禁止使用含有《环境管理物质控制标准》所限制的物质作为材料。
6. 若客户需求其它标示方法, 依客户要求执行操作。

RoHS Compliant

TOLERANCES ARE

MORETHANALL
PCB CONNECTORS
Cable ASSEMBLIES

煜倫股份有限公司

www.morethanall.com

DRAWING BY CY

CHECKED BY GENIUS

UNIT/mm

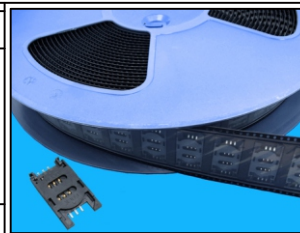
SCALE 1:1

DATE

SIZE A4

X. ± 0.45
X. ± 0.35
.XX ± 0.25
.XXX ± 0.15
ANG ±

PJECTION



ORDER INFORMATION

SCV-W2523PR-06-LF
SERIES | | | | LEADFREE
| | | | 06WAY
| | | | REEL
| | | | WITH LOCATING PEG
90°SMT | | | | BODY HIGH 2.3mm
| | | | PAD TO PAD 25.2mm

DESCRIPTION: