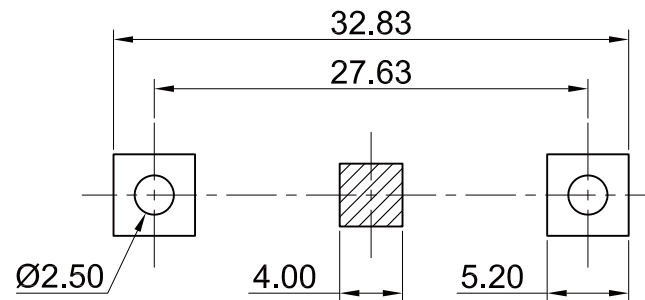
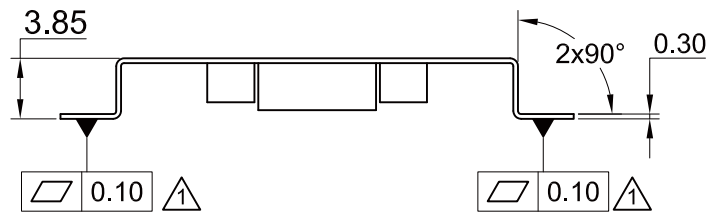
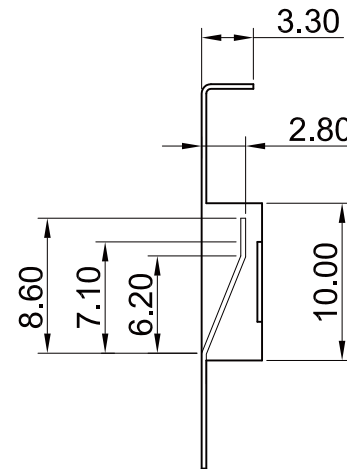


NOTES

- (1) MATERIAL: 0.3MM THICK PHOSPHOR BRONZE NICKEL PLATED
- (2) TOLERANCE: ISO 2768-M, UNLESS OTHERWISE SPECIFIED
- (3) PROCESS CORNER R=0.30MM
- (4) SURFACE NO BURRS, NO GREASE
- (5) RoHS COMPLIANT



PCB Mounting layout

RoHS Compliant

TOLERANCES ARE

MORETHANALL
PCB CONNECTORS
Cable ASSEMBLIES

DRAWING BY CY

CHECKED BY GENIUS

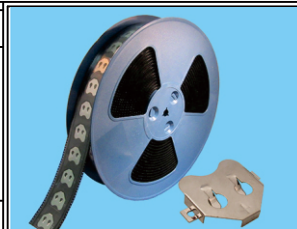
UNIT / mm SCALE 1 : 1

DATE

SIZE A4

X, ±
.X ±
.XX ±
.XXX ±
ANG ±

P PROJECTION



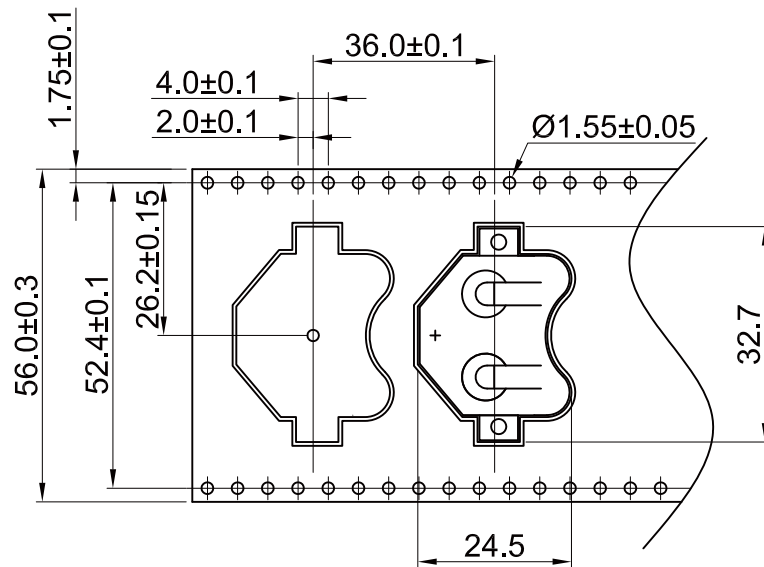
ORDER INFORMATION

BTH-W38R-24-LF
SERIES | LEADFREE
| CR 2430
| REEL
| HIGH 3.85mm
| 90°SMT

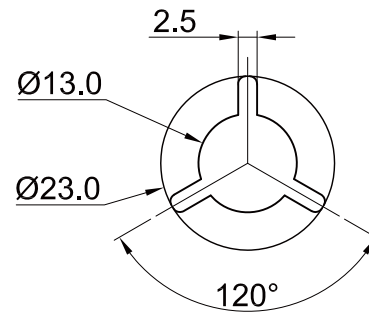
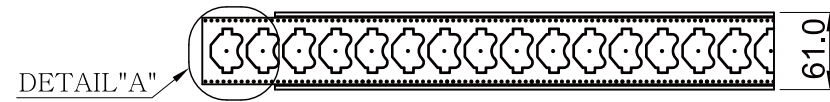
煜倫股份有限公司

www.morethanall.com

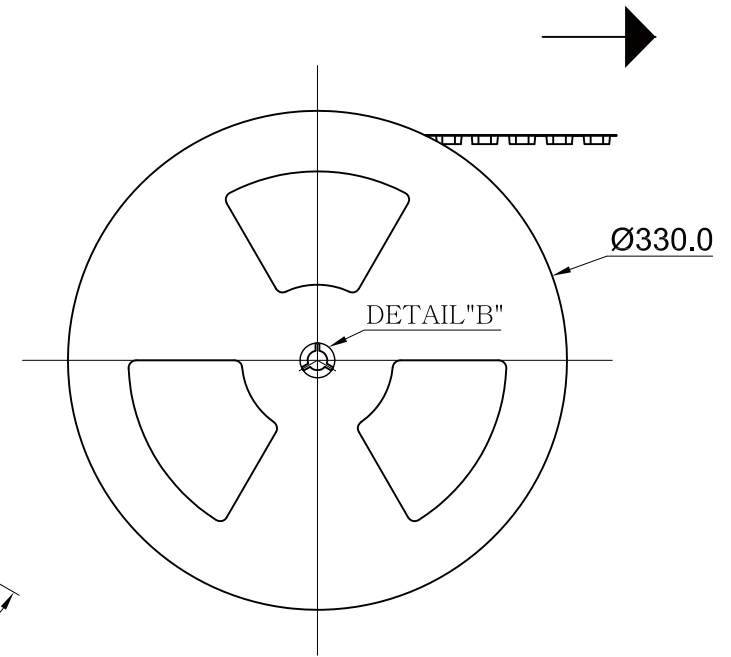
DESCRIPTION:



DETAIL "A"



DETAIL "B"



NOTES:

- (1) 350 pcs packed in a tapping reel.
- (2) SPECIFICATION WITH EIA-481 STANDARDS

RoHS Compliant

TOLERANCES ARE

MORETHANALL
PCB CONNECTORS
Cable ASSEMBLIES

煜倫股份有限公司

www.morethanall.com

DRAWING BY CY	
CHECKED BY GENIUS	
UNIT / mm	SCALE 1 : 1
DATE	
SIZE A4	PJECTION

X. ±
.X ±
.XX ±
.XXX ±
ANG ±



ORDER INFORMATION

BTH-W38R-24-LF
SERIES | LEADFREE
| CR 2430
| REEL
| HIGH 3.85mm
| 90°SMT

DESCRIPTION: