

- NOTES:
- MATERIAL:  
HOUSING: HIGH TEMPERATURE THERMO PLASTIC UL94V-0  
TERMINAL: COPPER ALLOY  
SOLDER PEG: COPPER ALLOY
  - FINISH:  
TERMINAL:  
CONTACT AREA: SEE CHARTS  
SOLDERING AREA: SEE CHARTS  
UNDER PL.: NICKEL PL. 50  $\mu$ " THK MIN.
  - THIS PRODUCT DOESN'T CONTAIN ENVIRONMENTAL HAZARDOUS PER DIRECTIVE 2002/95/EC FOR RoHS COMPLIANT.

RoHS Compliant

TOLERANCES ARE

**MORETHANALL**  
PCB CONNECTORS  
Cable ASSEMBLIES

DRAWING BY CY

X.  $\pm 0.50$

CHECKED BY GENIUS

.X  $\pm 0.25$

UNIT / mm

SCALE 1 : 1

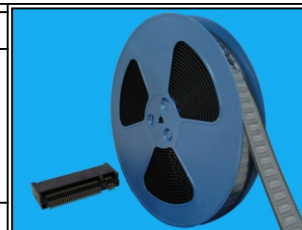
.XXX  $\pm$

DATE

ANG  $\pm$

SIZE A4

PJECTION



ORDER INFORMATION

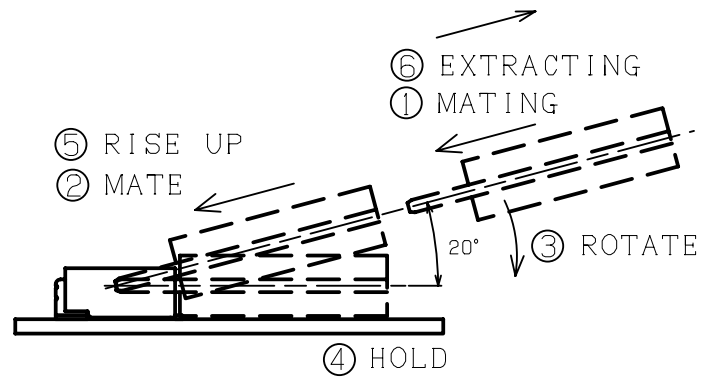
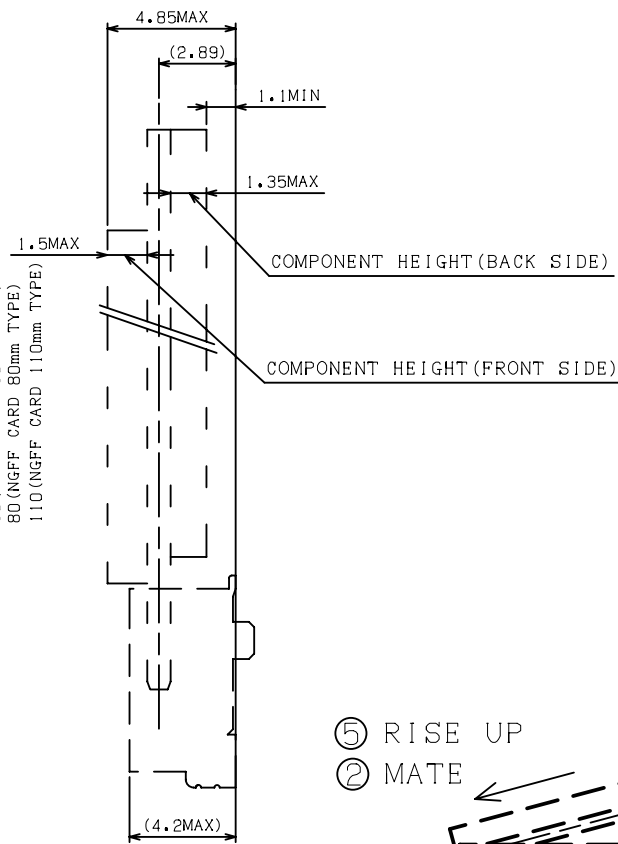
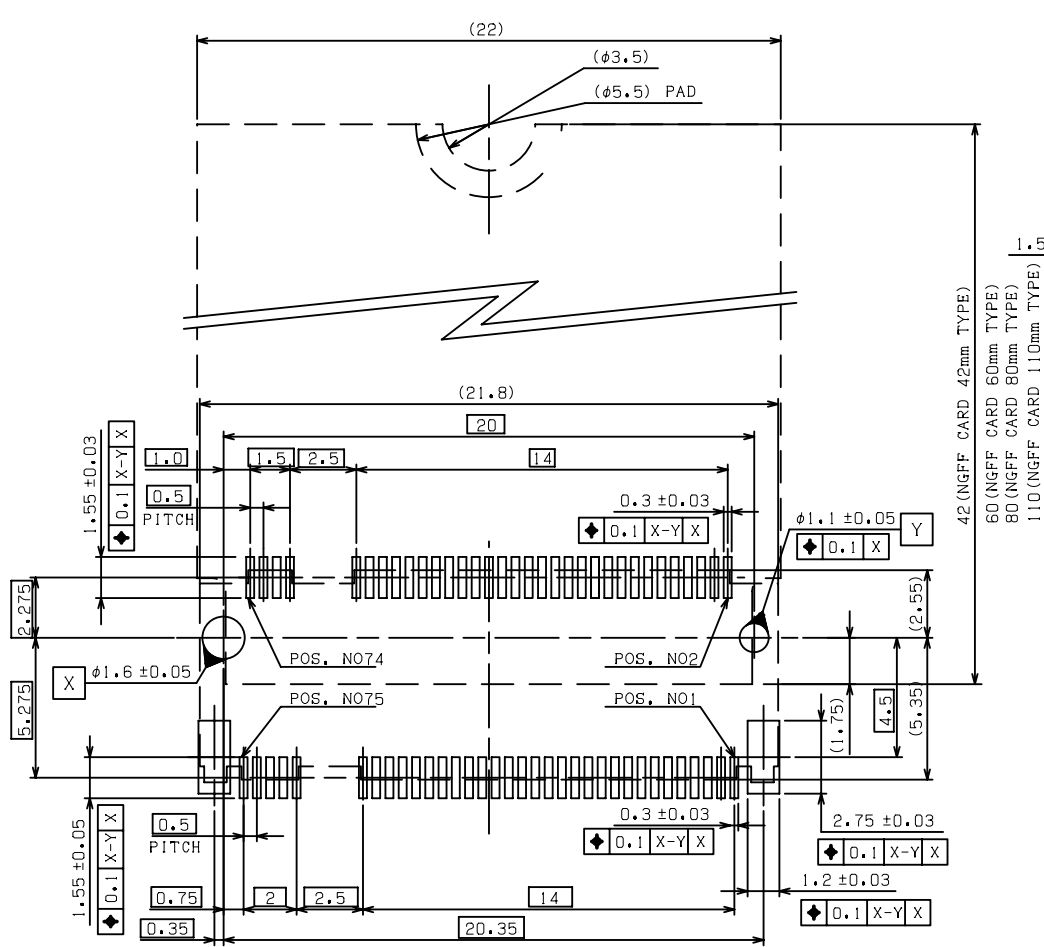
NGFF-W42R-5809-LF

SERIES | | LEADFREE  
58+09 WAY  
| | REEL  
HIGH 4.2mm  
90°SMT

煜倫股份有限公司

www.morethanall.com

DESCRIPTION: M.2 CONNECTOR KEY ID "M" 0.5mm PITCH 4H ASS'



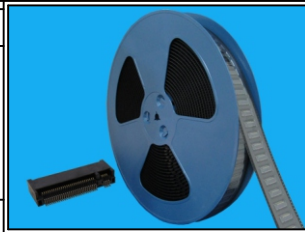
KEY ID "M"  
RECOMMENDED P.C.BOARD LAYOUT

RoHS Compliant

TOLERANCES ARE



DRAWING BY CY		X. ± 0.50
CHECKED BY GENIUS		.X ± 0.25
UNIT / mm		.XX ± 0.12
SCALE 1:1		.XXX ±
DATE		ANG ±



ORDER INFORMATION

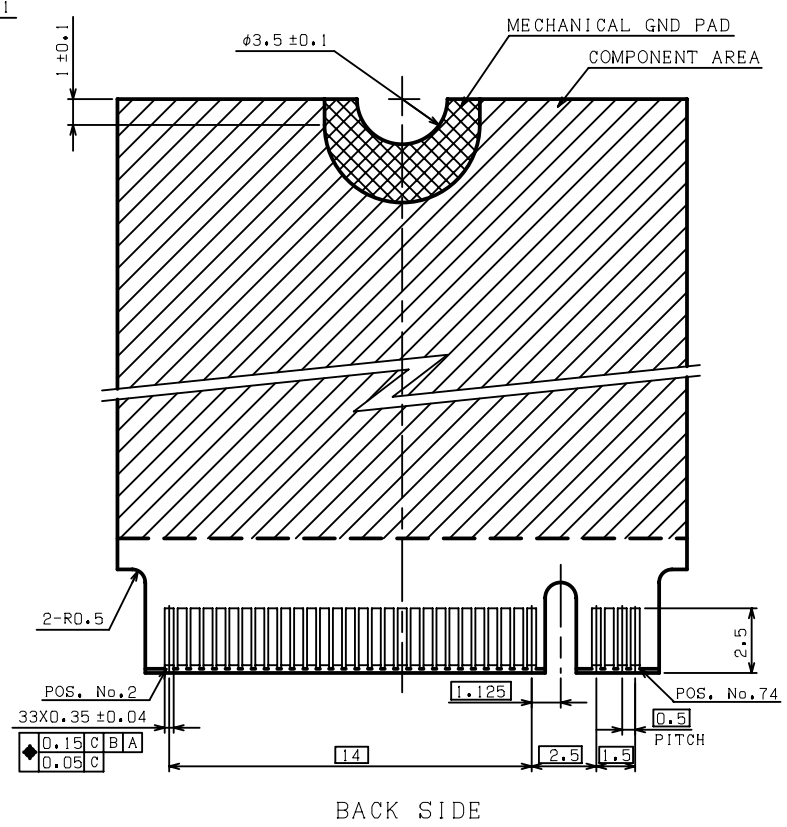
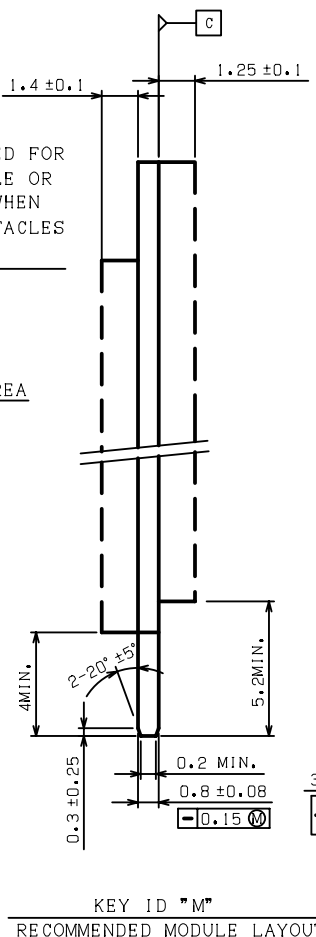
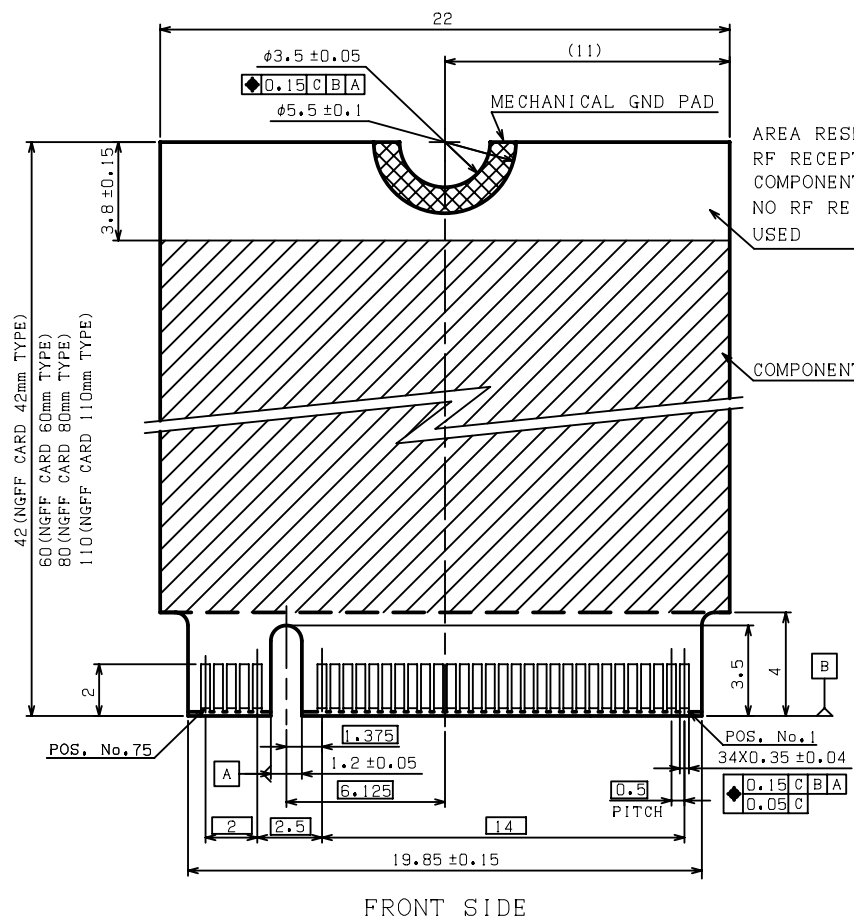
NGFF-W42R-5809-LF  
SERIES REEL LEADFREE  
HIGH 4.2mm 58+09 WAY  
90°SMT

煜倫股份有限公司

www.morethanall.com

SIZE A4 PROJECTION

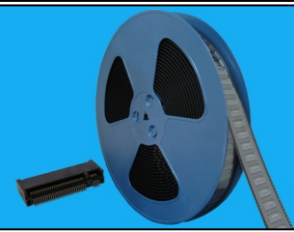
DESCRIPTION: M.2 CONNECTOR KEY ID "M" 0.5mm PITCH 4H ASS'



RoHS Compliant

TOLERANCES ARE

X ± 0.50
.X ± 0.25
.XX ± 0.12
.XXX ±
ANG ±



ORDER INFORMATION

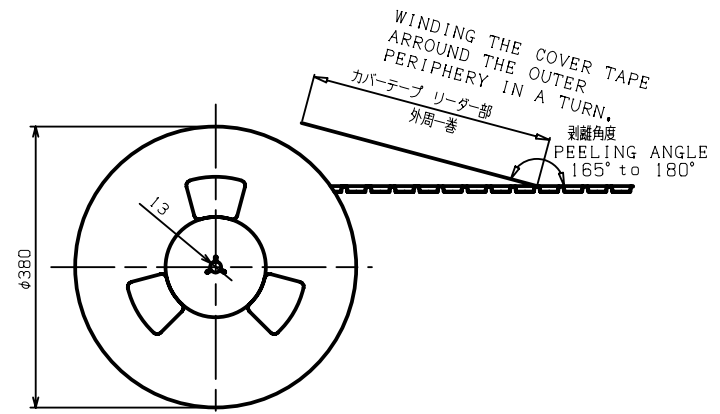
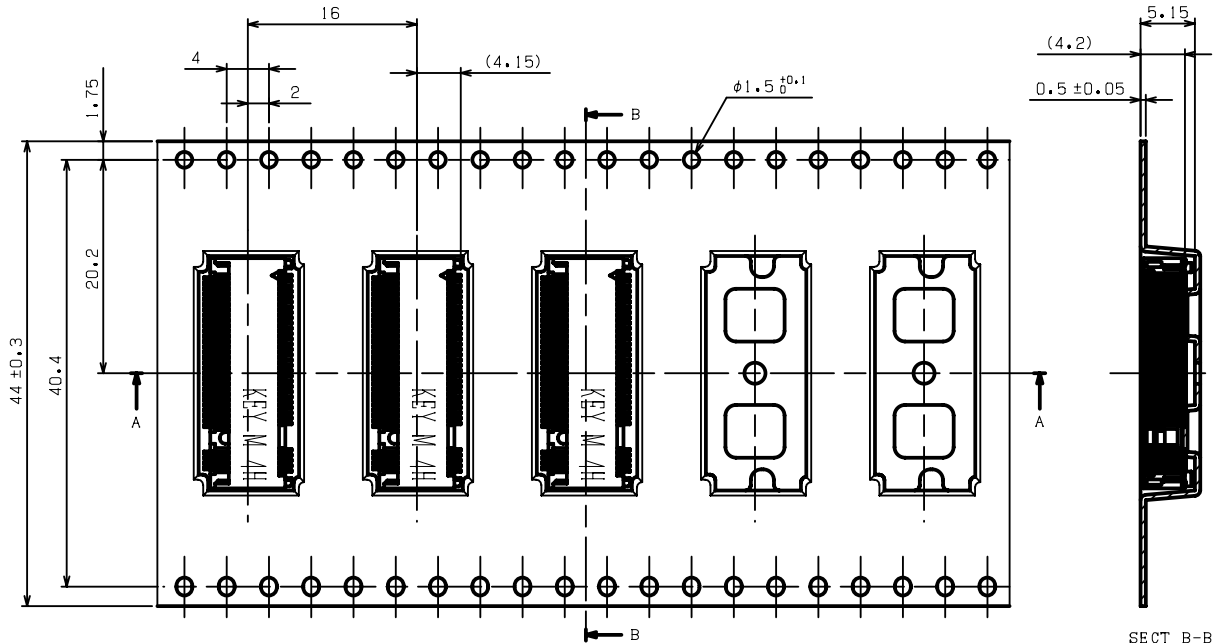
NGFF-W42R-5809-LF  
SERIES REEL LEADFREE  
HIGH 4.2mm 58+09 WAY  
90°SMT

**MORETHANALL**  
PCB CONNECTORS  
Cable ASSEMBLIES  
煜倫股份有限公司  
www.morethanall.com

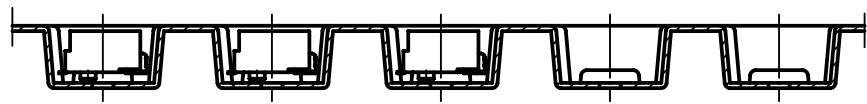
DRAWING BY CY		.XXX ± ANG ±
CHECKED BY GENIUS		
UNIT / mm	SCALE 1 : 1	
DATE		
SIZE A4	PJECTION	

DESCRIPTION: M.2 CONNECTOR KEY ID "M" 0.5mm PITCH 4H ASS'

DIRECTION OFF TOP OF REEL



SECT B-B



SECT A-A

NOTES:

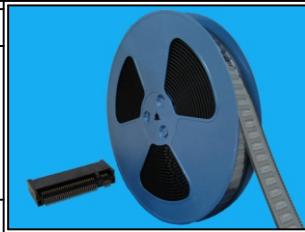
1. THE DIRECTION OF EACH CONNECTOR ON A EMBOSS IS REFERED TO THIS DRAWING.
2. GENERAL TOLERANCE : ±0.5 , ±3°
3. PACKAGED IN EMBOSS TAPE AND PLASTIC REEL 1000 PCS PRE REEL.

RoHS Compliant

TOLERANCES ARE



DRAWING BY CY		X. ± 0.50
CHECKED BY GENIUS		.X ± 0.25
UNIT / mm	SCALE 1 : 1	.XX ± 0.12
DATE		.XXX ±
		ANG ±



ORDER INFORMATION

NGFF-W42R-5809-LF		
SERIES	LEADFREE	
	58+09 WAY	
	REEL	
	HIGH 4.2mm	
	90°SMT	

煜倫股份有限公司

www.morethanall.com

SIZE A4 PROJECTION

DESCRIPTION: M.2 CONNECTOR KEY ID "M" 0.5mm PITCH 4H ASS'