

- NOTES:
- MATERIAL:
 - HOUSING: HIGH TEMPERATURE THERMO PLASTIC UL94V-0
 - TERMINAL: COPPER ALLOY
 - SOLDER PEG: COPPER ALLOY
 - FINISH:
 - TERMINAL:
 - CONTACT AREA: SEE CHARTS
 - SOLDERING AREA: SEE CHARTS
 - UNDER PL.: NICKEL PL. 50 μ" THK MIN.
 - THIS PRODUCT DOESN'T CONTAIN ENVIRONMENTAL HAZARDOUS PER DIRECTIVE 2002/95/EC FOR RoHS COMPLIANT.

RoHS Compliant

TOLERANCES ARE

MORETHANALL
PCB CONNECTORS
Cable ASSEMBLIES

DRAWING BY CY

X, ±

CHECKED BY GENIUS

.X ±

UNIT / mm

SCALE 1 : 1

.XX ±

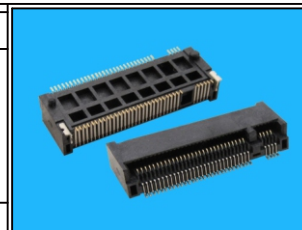
DATE

.XXX ±

ANG ±

SIZE A4

PJECTION



ORDER INFORMATION

NGFF-W42-5809-LF

SERIES

LEADFREE

58+09 WAY

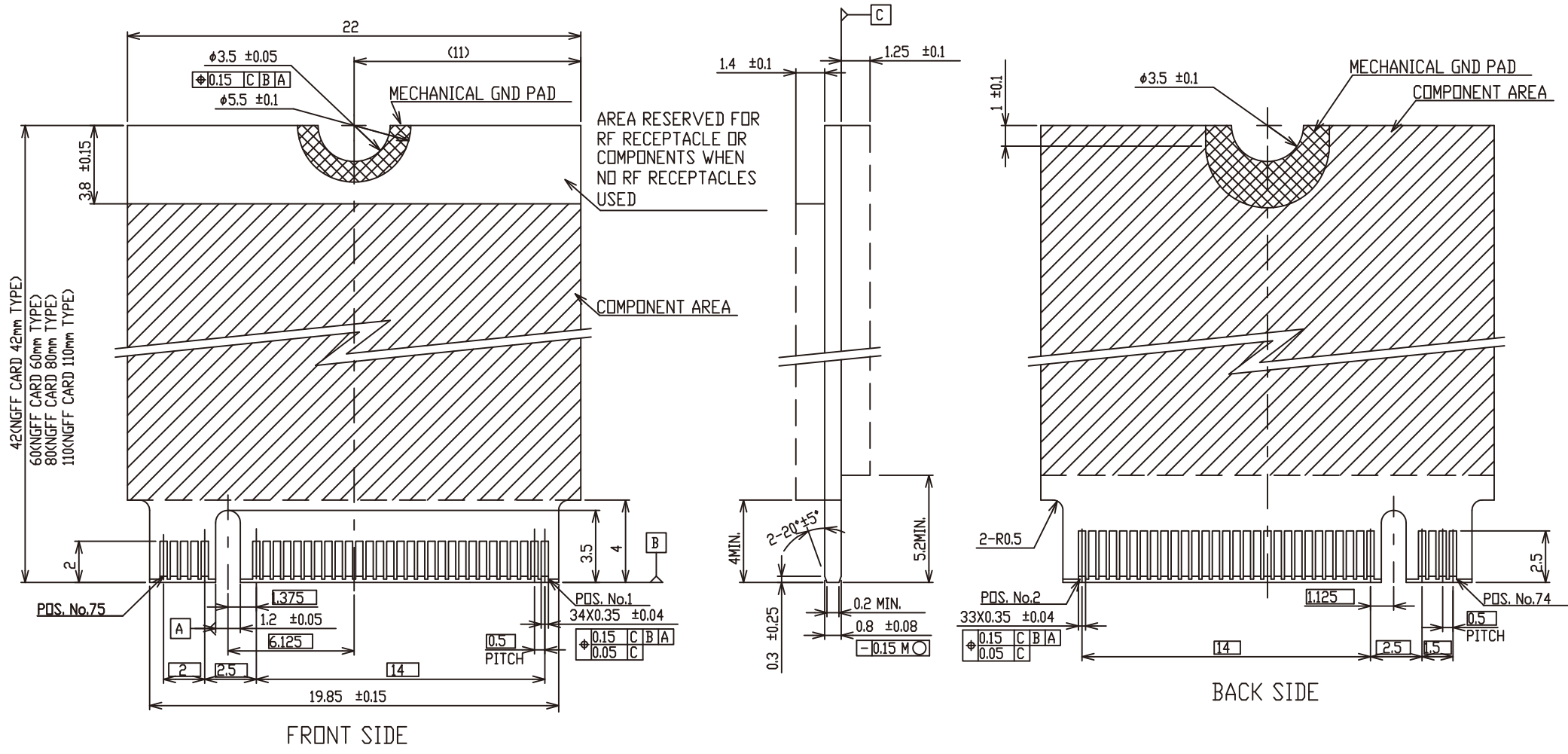
HIGH 4.2mm

90°SMT

煜倫股份有限公司

www.morethanall.com

DESCRIPTION:



KEY ID "M"
 RECOMMENDED MODULE LAYOUT

RoHS Compliant

TOLERANCES ARE



DRAWING BY CY

X. \pm

CHECKED BY GENIUS

.X \pm

UNIT / mm

SCALE 1 : 1

.XX \pm

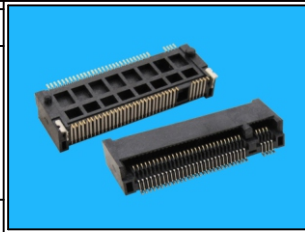
DATE

.XXX \pm

SIZE A4

PJECTION

ANG \pm



ORDER INFORMATION

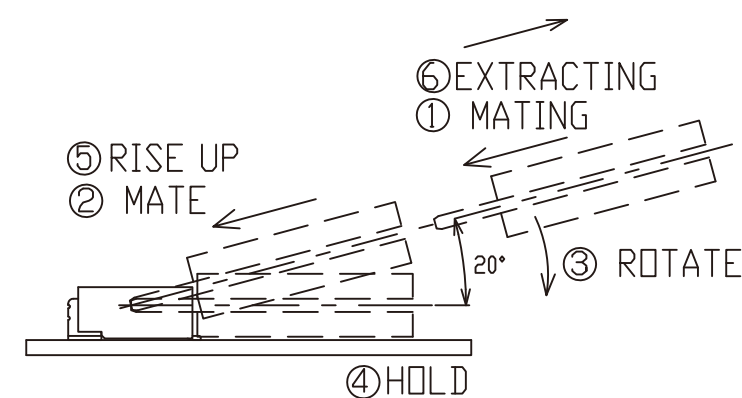
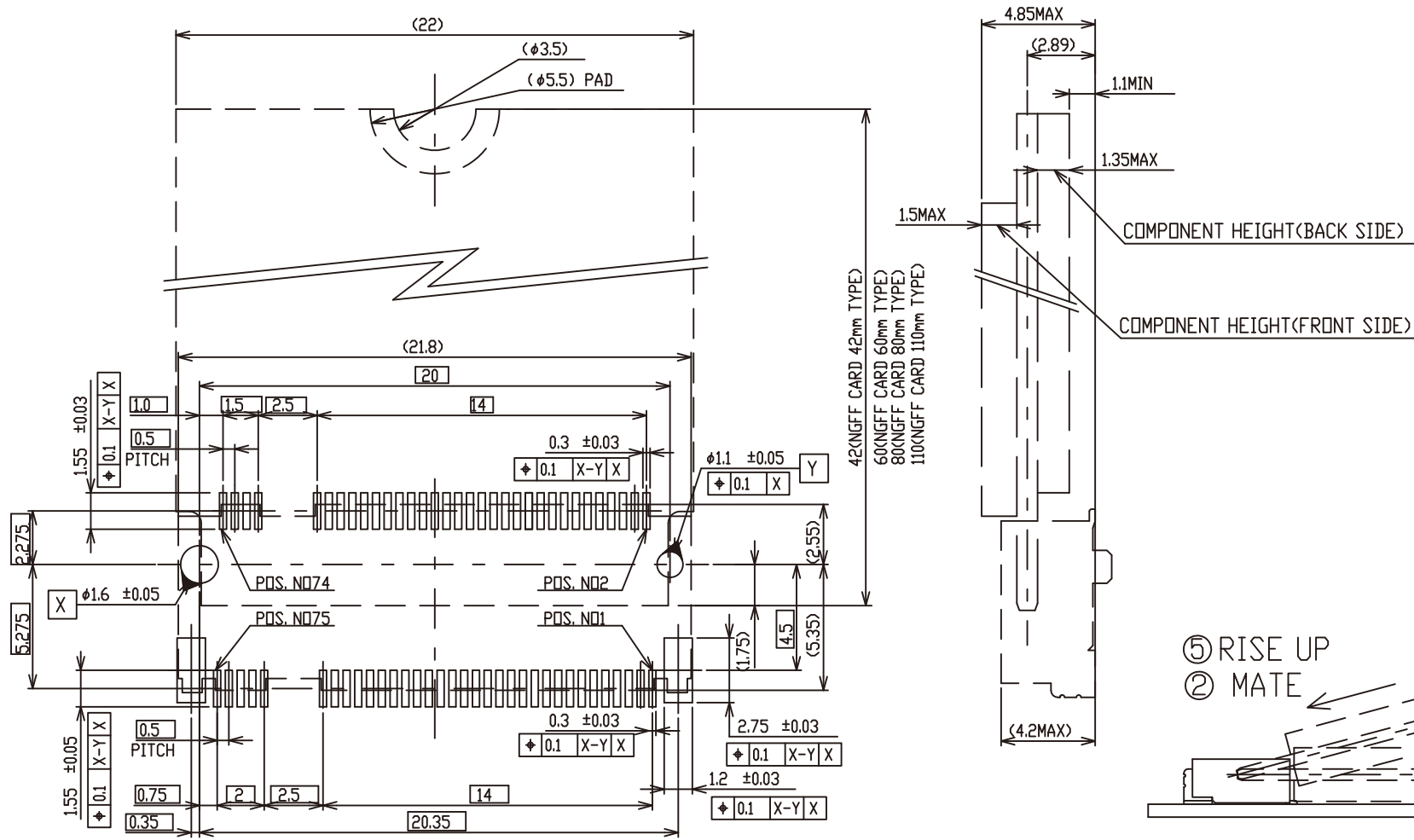
NGFF-W42-5809-LF

SERIES | LEADFREE
 58+09 WAY
 HIGH 4.2mm
 90°SMT

DESCRIPTION:

煜倫股份有限公司

www.morethanall.com



KEY ID "M"
RECOMMENDED P.C.BOARD LAYOUT

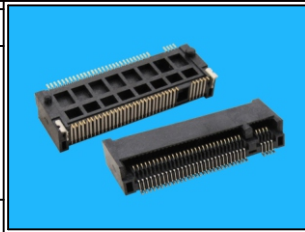
RoHS Compliant

TOLERANCES ARE

MORETHANALL
PCB CONNECTORS
Cable ASSEMBLIES

DRAWING BY CY
CHECKED BY GENIUS
UNIT / mm SCALE 1 : 1
DATE

X, ±
.X ±
.XX ±
.XXX ±
ANG ±



ORDER INFORMATION

NGFF-W42-5809-LF
SERIES | LEADFREE
58+09 WAY
HIGH 4.2mm
90°SMT

煜倫股份有限公司

www.morethanall.com

SIZE A4 PPROJECTION

DESCRIPTION: