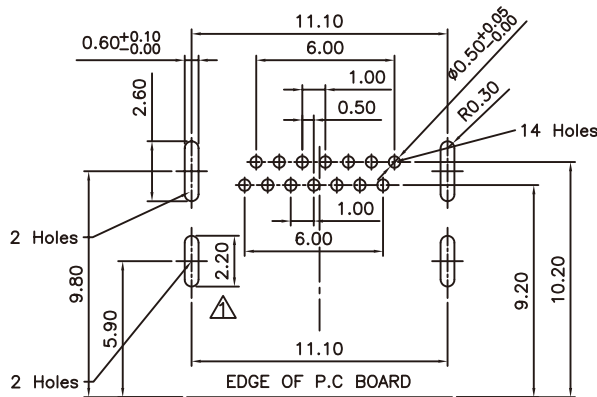
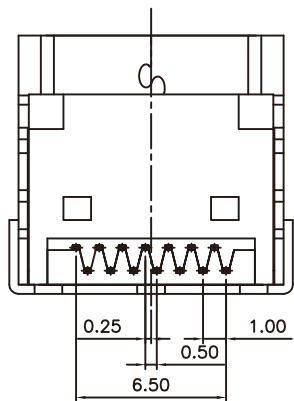
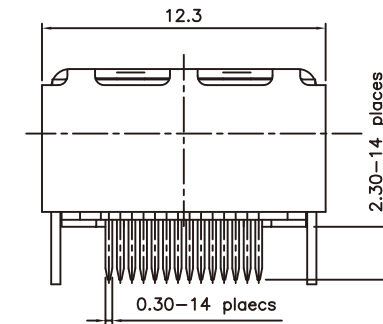
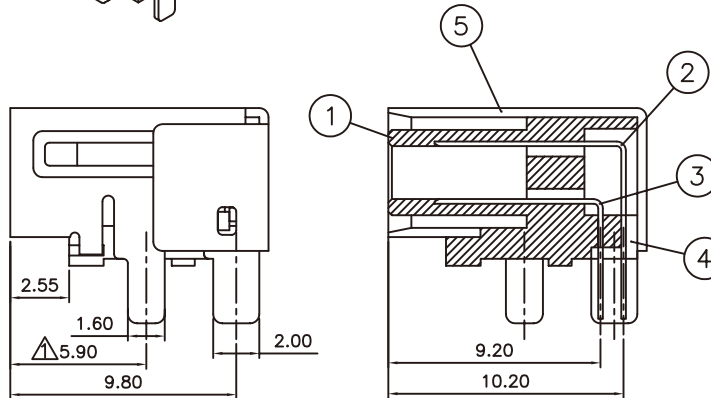
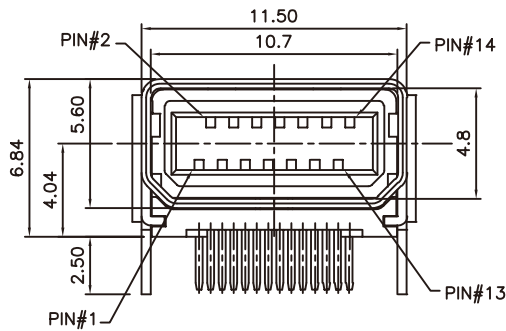


ITEM 項目	PARTS NAME 零件名稱	Q'TY 數量	MATERIAL 材質	FINISH/REMARK 處理/備註
1	HOUSING	1	NYLON 6T+G.F	UL-94V-0(Black)
2	CONTACT-L	7	Phosphor Bronze	Gold flash selective lead free
3	CONTACT-S	7	Phosphor Bronze	Gold flash selective lead free
4	BASE	1	P.B.T+G.F	UL-94V-0(Black)
5	SHELL	1	Brass	Tin alloy plated lead free



SPECIFICATION

MATERIAL

See drawing

STANDARD DATA

Rating current:0.5A

Operating temperature: -30°C ~ +60°C

Storage temperature: -40°C ~ +85°C

ELECTRICAL

Insulator resistance: 1000M ohms Min. @ 250 VDC

Withstanding voltage: 100 VAC / minute

Contact resistance: 60 m ohms Max.

P.C BOARD LAYOUT (TOLERANCE: ±0.1mm)
AS VIEW FORM COMPONENT SIDE

RoHS Compliant

TOLERANCES ARE



煜倫股份有限公司

www.morethanall.com

DRAWING BY CY

CHECKED BY GENIUS

UNIT / mm

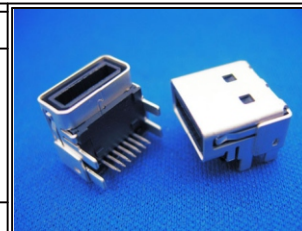
SCALE 1 : 1

DATE

SIZE A4

P PROJECTION

X, ±
.X ±
.XX ±
.XXX ±
ANG ±



ORDER INFORMATION

MVGA-SRM-14-LF

SERIES | | | | LEADFREE
14WAY
METAL
DIP 90°
FEMALE

DESCRIPTION: CONNECTOR (Pitch:0.5mm) Right angle type-14 position