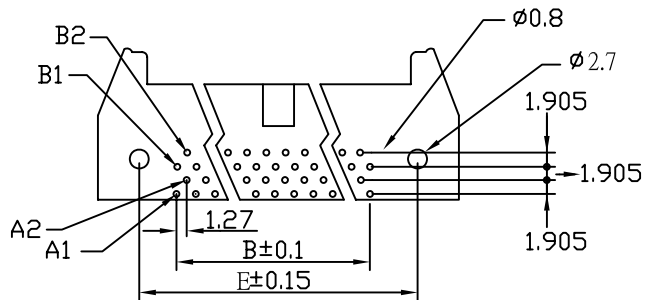
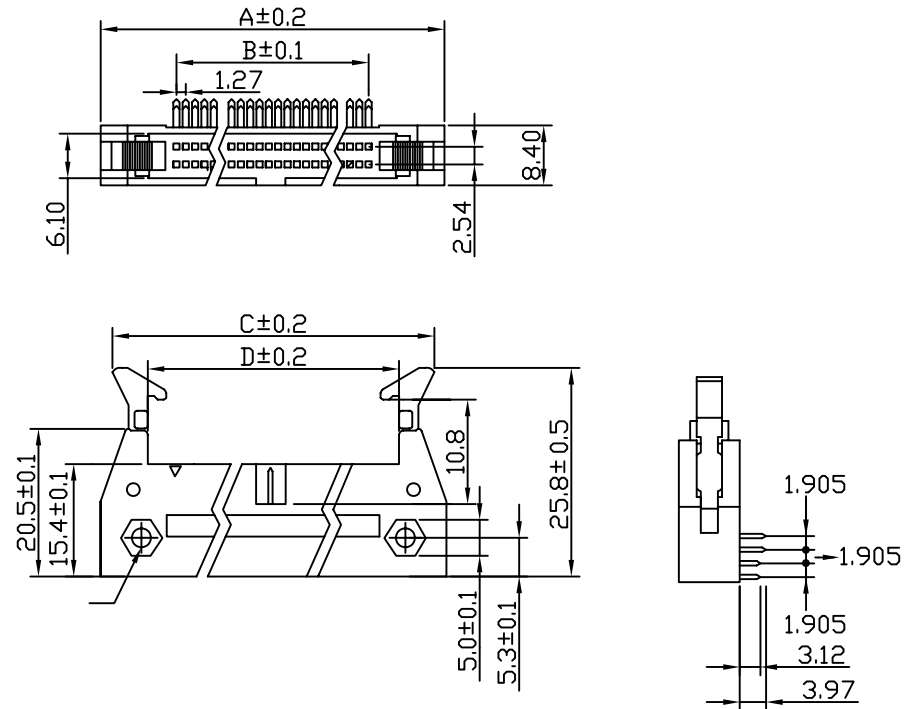


P.C. Board Layout Top View  
(20.32.40.52.60.68.80.100)Position



P.C. Board Layout Top View  
(26.34.50)Position



Position	Dimension				
	A	B	C	D	E
20	32.38	32.38	32.38	32.38	32.38
26	36.18	15.24	33.16	23.11	25.40
32	39.98	19.05	36.97	26.92	29.21
34	41.25	20.32	38.24	28.19	30.48
40	45.08	24.13	42.05	32.00	34.29
50	51.41	30.48	48.40	38.35	40.64
52	52.68	31.75	49.67	39.62	41.91
60	57.76	38.83	54.75	44.70	46.99
68	62.84	41.91	59.83	49.78	52.07
80	70.45	49.53	67.45	57.40	59.69
100	83.16	62.23	80.25	70.10	72.39

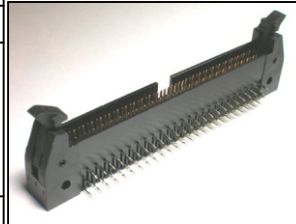
RoHS Compliant

TOLERANCES ARE

**MORETHANALL**  
PCB CONNECTORS  
Cable ASSEMBLIES

DRAWING BY CY  
CHECKED BY GENIUS  
UNIT / mm SCALE 1 : 1  
DATE

X, ±  
.X ±  
.XX ±  
.XXX ±  
ANG ±



ORDER INFORMATION

HL-RBS-xxx-LF  
SERIES | | | LEADFREE  
| | | 020~100 WAY  
| | | SHORT  
| | | BRACKET  
| | | DIP 90°

煜倫股份有限公司

www.morethanall.com

SIZE A4 PPROJECTION

DESCRIPTION: