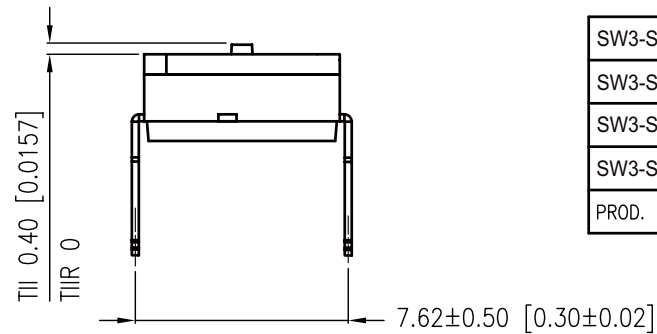
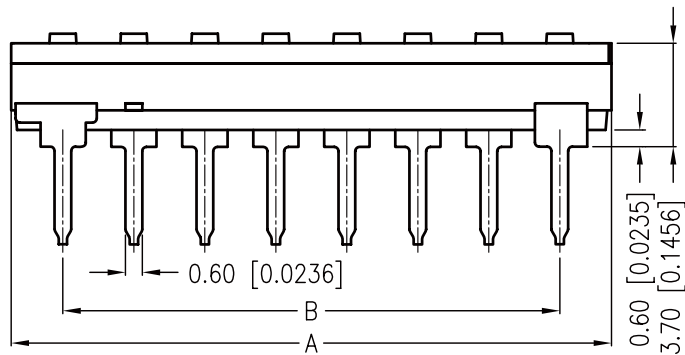


P.C.B. LATOUT

CIRCUIT DIAGRAM



SW3-SC-10	10	26.56[1.046]	22.86[.900]
SW3-SC-09	9	24.02[.946]	20.32[.800]
SW3-SC-08	8	21.48[.846]	17.78[.700]
SW3-SC-04	4	11.32[.446]	7.62[.300]
PROD. NO.	NO. OF POS.	DIM. A	DIM. B

NOTE:  
 1.ALL DIMENSIONS ARE IN MILLIMETERS,BRACKETED DIMENSIONS ARE IN INCHES.  
 2.GENERAL TOLERANCES MAX.±0.20mm.

RoHS Compliant

TOLERANCES ARE

**MORETHANALL**  
 PCB CONNECTORS  
 Cable ASSEMBLIES

DRAWING BY CY

X.±

CHECKED BY GENIUS

.X±

UNIT / mm

SCALE 1 : 1

.XX±

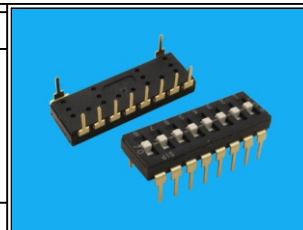
DATE

.XXX±

ANG±

SIZE A4

PJECTION



ORDER INFORMATION

SW3-SC-xx-LF

SERIES | LEADFREE  
 | 04~10WAY  
 | IC TYPE  
 SLIDE

煜倫股份有限公司

www.morethanall.com

DESCRIPTION: