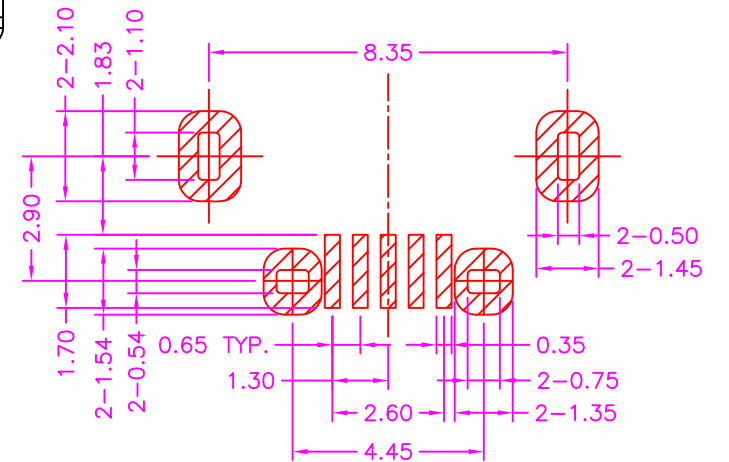
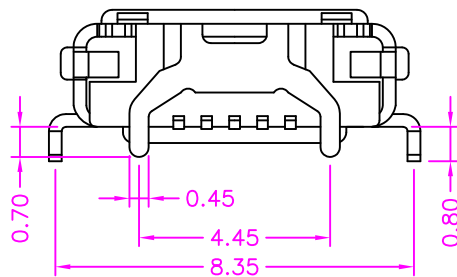
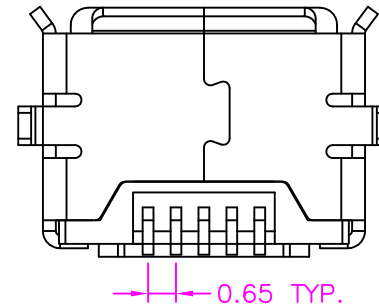
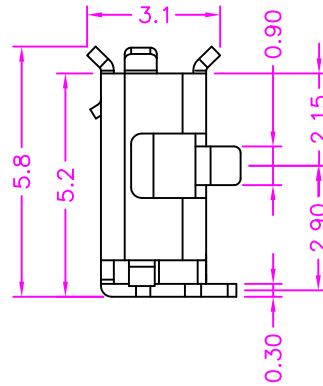
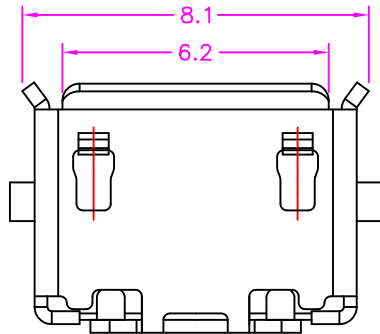


**MATERIALS**

HOUSING: LCP (UL 94V-0), BLACK  
 SHELL: STAINLESS STEEL  
 TERMINAL: COPPER ALLOY, GOLD PLATED

**SPECIFICATION**

CURRENT RATING: 1.8 AMP MAX (ONLY PIN 1, 5), OTHER 1 AMP MAX  
 DIELECTRIC WITHSTANDING: 100V AC FOR ONE MINUTE  
 CONTACT RESISTANCE: 30m OHMS MAX  
 INSULATION RESISTANCE: 100M OHMS MIN AT DC 500V  
 OPERATION TEMPERATURE: -25°C~+105°C



P.C.B LAYOUT  
 TOP VIEW ±0.05

**RoHS Compliant**

TOLERANCES ARE



煜倫股份有限公司

www.morethanall.com

DRAWING BY CY

CHECKED BY GENIUS

UNIT / mm

SCALE 1 : 1

DATE

SIZE A4

X ± 0.40

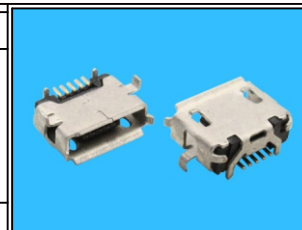
.X ± 0.30

.XX ± 0.20

.XXX ± 0.10

ANG ±

P PROJECTION



**ORDER INFORMATION**

MISB-SWMM84-5AB-LF

SERIES

LEADFREE

FEMALE

5 PIN AB TYPE  
 FOOT WIDTH 8.35mm  
 METAL FOOT / 2  
 90°SMT

DESCRIPTION: MICRO USB AB TYPE, PCB MOUNT, SMT, METAL SHIELD FEMALE