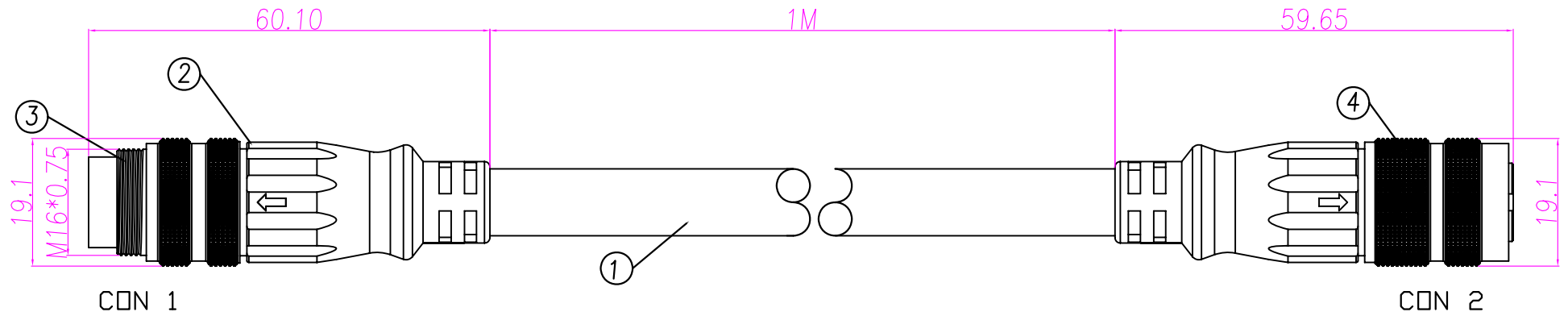
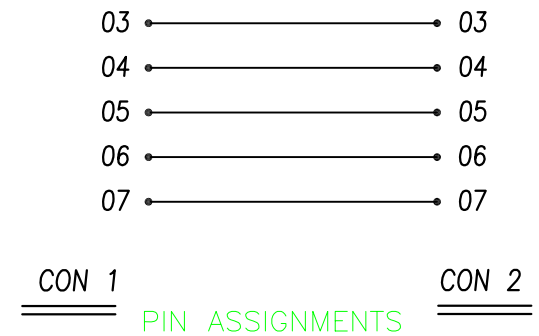
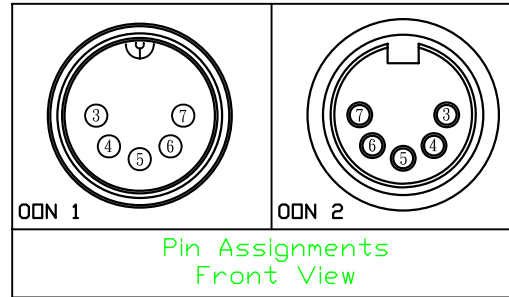


*Water proof : IP67



4	M16 5PIN (F)	1
3	M16 5PIN (M)	1
2	OVERMOLD : PVC 48% MOLDING ; COLOR : BLACK.	1
1	UL2517 18AWG*8C PVC BLACK OD: 9.0±0.2mm	1
ITEM	DESCRIPTION	Q'TY



RoHS Compliant

TOLERANCES ARE

MORETHANALL
PCB CONNECTORS
Cable ASSEMBLIES

DRAWING BY CY

CHECKED BY GENIUS

UNIT / mm

SCALE 1 : 1

DATE

SIZE A4

PPOJECTION

X, ±
.X ± 0.20
.XX ± 0.10
.XXX ± 0.05
ANG ± 1°



ORDER INFORMATION

DAMSX2-050518-A1M-LF

SERIES

LEADFREE

1000mm

FEMALE TO MALE

18AWG

05 TO 05 PIN

煜倫股份有限公司

www.morethanall.com

DESCRIPTION: DIN 5P CABLE L=1M