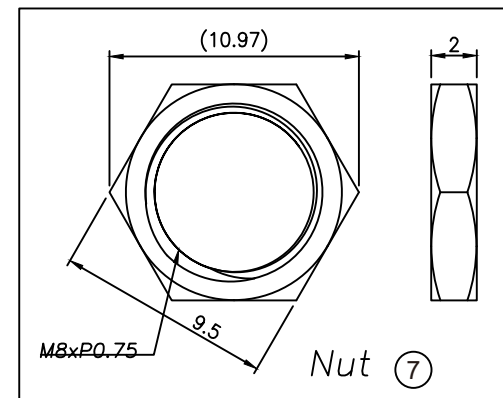
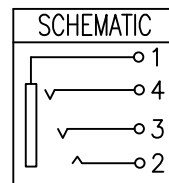


T:1.6 Dimensions of PC board holes
Tolerance : ±0.05(Printed-Top view)

UNLESS OTHERWISE SPECIFIED, TOLERANCE ON DECIMAL: ±0.3



LTR	PART NAME	QTY	MATERIAL	REMARK
7	NUT	1	C2680	Ni PLATED
6	HOUSING	1	PA66	UL-94V0
5	COVER	1	PA66	BLACK
4	RING SPRING	1	C5191 t=0.25	Ag PLATED
3	RING SPRING	1	C5191 t=0.25	Ag PLATED
2	TIP SPRING	1	C5191 t=0.25	Ag PLATED
1	EARTH SPRING	1	C5191 t=0.25	Ag PLATED

RoHS Compliant

TOLERANCES ARE

MORETHANALL
PCB CONNECTORS
Cable ASSEMBLIES

DRAWING BY CY

X.±

CHECKED BY GENIUS

.X±

UNIT / mm

SCALE 1 : 1

.XXX±

DATE

ANG ±

SIZE A4

PPOJECTION



ORDER INFORMATION

PJ-D11TN-04-LF
SERIES | | | | LEADFREE
| | | | 04WAY
| | | | NUT
| | | | TEREAD
| | | | HIGH 11.7mm
| | | | DIP 180°

DESCRIPTION: MINIATURE JACK

煜倫股份有限公司

www.morethanall.com