

Recommended Panel Cut-Cot
TOLERANCE: $\pm 0.05\text{mm}$

SPECIFICATION

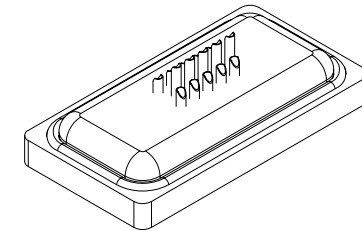
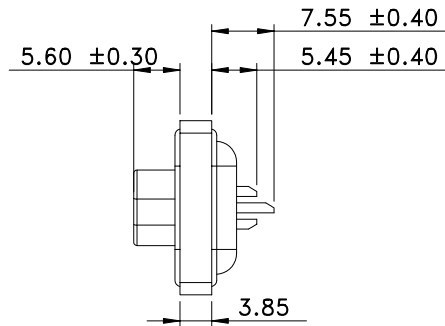
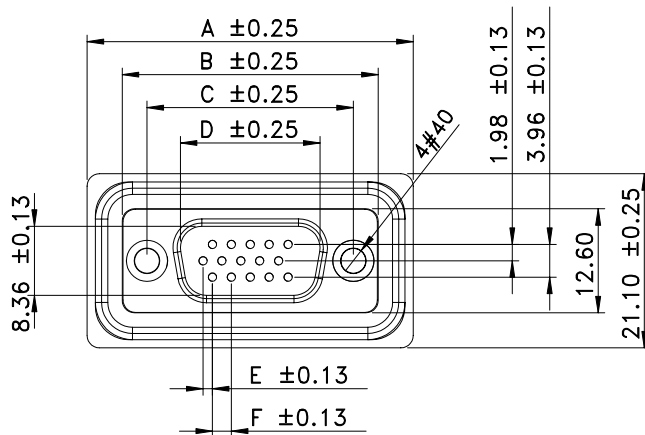
MATERIAL
 Insulator: Thermoplastic
 Contacts: Copper Alloy
 Shell: Steel
 O-ring: Silicone
 Sealant: Epoxy-Resin
 Rivet: Copper Alloy

CONTACT PLATING

Underplate :50u"~150u" Nickel
 Contact Area :1u"~30u" Selective Gold
 Rivet :50u"~100u" Nickel

ELECTRICAL

Operation Voltage :250 VAC Max
 Current Rating :3 Amps Max
 Contact Resistance :15 Mohms Min 500 VDA
 Dielectric Withstanding Voltage 1000 VAC/Minute
 Temperature Range :-55°C TO +105°C



PIN	A	B	C	D	E	F	X	Y
15	39.50	31.00	25.00	16.90	1.145	2.29	25.20	20
26	48.00	39.30	33.32	25.20	1.145	2.29	33.50	28.30
44	61.50	53.20	47.04	38.90	1.145	2.29	47.20	42.00
62	77.80	69.50	63.50	55.40	1.205	2.41	63.70	58.50

RoHS Compliant

TOLERANCES ARE

MORETHANALL
 PCB CONNECTORS
 Cable ASSEMBLIES

煜倫股份有限公司

www.morethanall.com

DRAWING BY CY

CHECKED BY GENIUS

UNIT / mm

SCALE 1 : 1

DATE

SIZE A4

PPOJECTION

X, ±
 .X ±
 .XX ±
 .XXX ±
 ANG ±



ORDER INFORMATION

WPHD-PSN-xx-LF

SERIES LEADFREE
 15-62WAY
 NUT
 SOLDER
 MALE

DESCRIPTION: WATER-PROOF HIGH DENSITY D-SUB(SOLDER MALE)