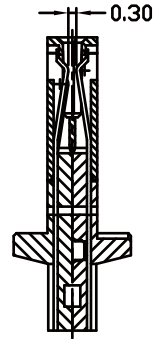
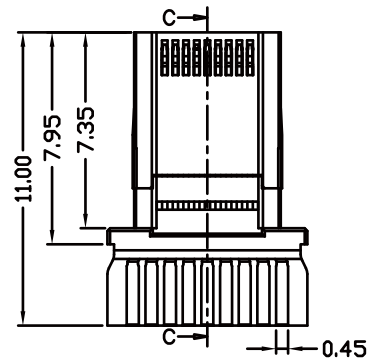


MATERIAL:

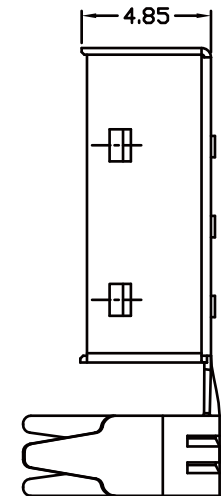
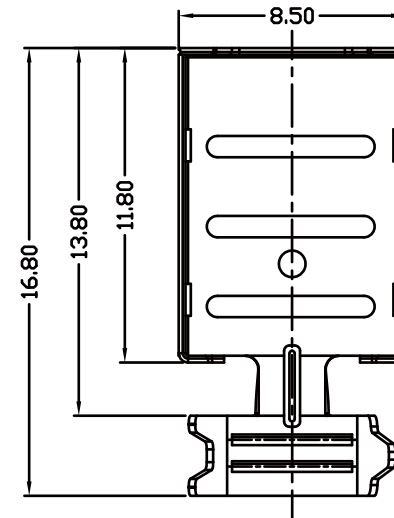
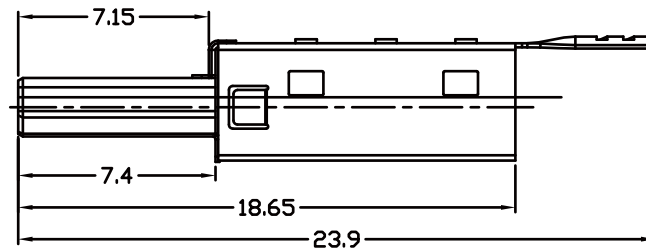
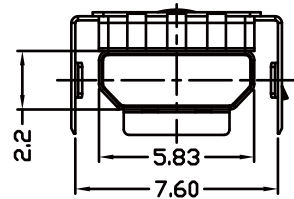
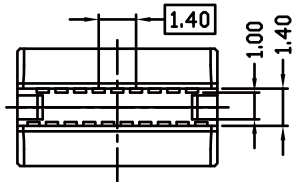
- 1.HOUSING: THERMOPLASTIC,BLACK COLOR,UL94V-0
- 2.SHELL: STEEL,NICKEL PLATING
- 3.CONTACT:COPPER ALLOY,GOLD PLATING FOR CONTACT AREA AND TINNED FOR SOLDER TAIL

ELECTRICAL:

- 1.CONTACT CURRENT RATING: 1.5A Min.
- 2.VOLTAGE RATING : 40V AC(RMS)
- 3.CONTACT RESISTANCE : 30 MILIOHMS MAX.
- 4.MATING FORCE:35N Max.
- 5.UNMATING FORCE:10N Min.



SEC C-C
SCALE 1:1



RoHS Compliant

TOLERANCES ARE

MORETHANALL
PCB CONNECTORS
Cable ASSEMBLIES

DRAWING BY CY

X, ±

CHECKED BY GENIUS

.X ±

UNIT / mm

SCALE 1 : 1

.XXX ±

DATE

ANG ±

SIZE A4

P PROJECTION



ORDER INFORMATION

MIHDMI-PS-19-LF

SERIES	LEADFREE
	19WAY
SOLDER	
MALE	

煜倫股份有限公司

www.morethanall.com

DESCRIPTION: