

MATERIAL

INSULATION: VINYL

MATERIAL: COPPER

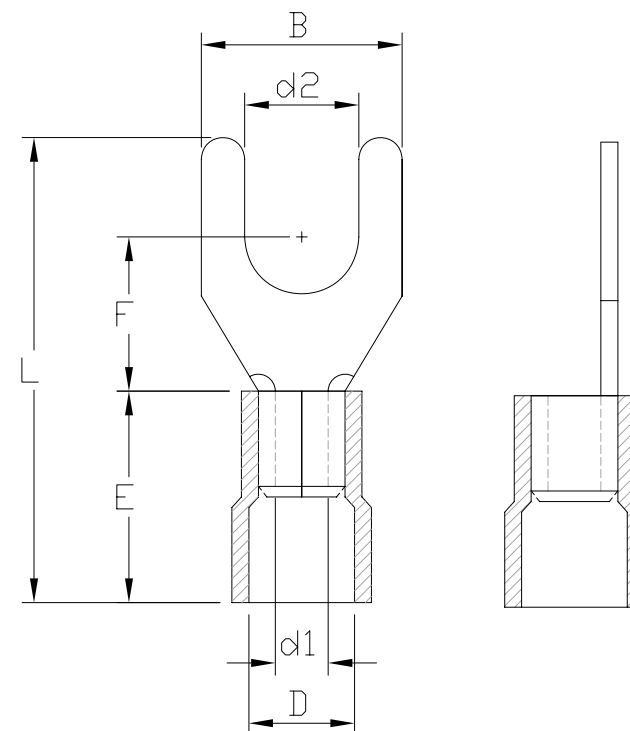
TIN PLATING

MAXIMUM ELECTRIC CURRENT

A. W. G	22	20	18	16
MAX AMP	9	12	17	18

NOTE:

1. MAXIMUM ELECTRICAL RATING: 105°C 600 VOLTS
2. WIRE RANGE: 22-16 AWG / 0.5-1.5 mm²
INSULATED COLOR: RED
3. MATERIAL THICKNESS: t
TOLERANCE: ±0.05



WIRE RANGE AWG/mm ²	產品編號 ITEM NO.	d2 ±0.20	B ±0.20	F ±0.30	L ±1.00	E ±0.60	D ±0.30	d1 ±0.20	t
22-16 AWG 0.5-1.5 mm ²	YT-V32S-16	3.2	5.0	6.3	21.0	10.0	4.1	1.7	0.75
	YT-V32-16	3.2	5.8	6.3	21.0				
	YT-V37S-16	3.7	5.8	6.3	21.0				
	YT-V37M-16	3.7	6.4	6.3	20.6				
	YT-V37L-16	3.7	7.2	6.3	21.0				
	YT-V43S-16	4.3	6.4	6.3	20.6				
	YT-V43M-16	4.3	7.2	6.3	21.0				
	YT-V43L-16	4.3	8.0	7.0	21.0				
	YT-V53S-16	5.3	8.0	7.0	21.0				
	YT-V53L-16	5.3	9.5	7.0	21.0				
	YT-V65S-16	6.5	9.5	7.0	21.0				
	YT-V65L-16	6.5	12.0	11.0	27.2				
	YT-V84-16	8.4	12.0	11.0	27.2				

RoHS Compliant

TOLERANCES ARE

MORETHANALL
PCB CONNECTORS
Cable ASSEMBLIES

煜倫股份有限公司

www.morethanall.com

DRAWING BY CY

CHECKED BY GENIUS

UNIT / mm

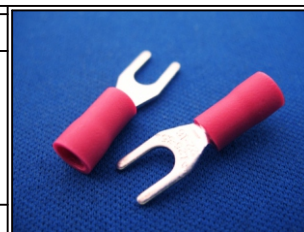
SCALE 1:1

DATE

SIZE A4

PPOJECTION

X, ±
.X ±
.XX ±
.XXX ±
ANG ±



ORDER INFORMATION

YT-Vxxy-16-LF
SERIES | T LEADFREE
16-22AWG
BLANK: STANDARD
S.M.L/ B WIDTH
32:d2 3.2mm
PVC

DESCRIPTION: