

NOTE:

CAVITY CONFIRMS TO FCC RULES AND REGULATIONS PART 68, SUBPART F.

1. MATERIAL:

- 1.1 HOUSING: PBT, WITH GLASS FIBER, UL94V-0, STANDARD COLOR-BLACK.
- 1.2 INSERT HOUSING & BASE: PBT, WITH GLASS FIBER, UL94V-0, STANDARD COLOR-BLACK.
- 1.3 CONTACTS: PHOSPHOR BRONZE.
- 1.4 SHELL: BRASS.
- 1.5 LED SOLDER TAIL: STEEL.

2. FINISH:

- 2.1 CONTACTS: GOLD FLASH ON CONTACT AREA, 2.54μm [100μ"] TIN PLATED ON SOLDER TAIL, 1.27μm [50μ"] MIN. NICKEL UNDERPLATED OVERALL.
- 2.2 SHELL: 0.508μm [20μ"] MIN. NICKEL PLATED.
- 2.3 LED SOLDER TAIL: 2.032μm [80μ"] MIN. TIN PLATED.

RoHS Compliant

TOLERANCES ARE



煜倫股份有限公司

www.morethanall.com

DRAWING BY CY

CHECKED BY GENIUS

UNIT / mm

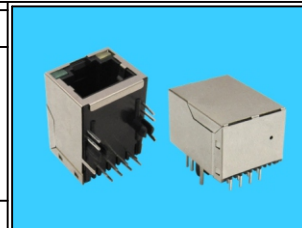
SCALE 1 : 1

DATE

SIZE A4

PJECTION

X, ±  
X ± 0.25  
.XX ± 0.13  
.XXX ± 0.05  
ANG ±



ORDER INFORMATION

MJF13T25UL-KX06B3GY24-0808

SERIES

BLACK

06u" GOLD

NON EAR

LED1 : GREEN  
LED2 : YELLOW  
REAR TAB 3.05mm

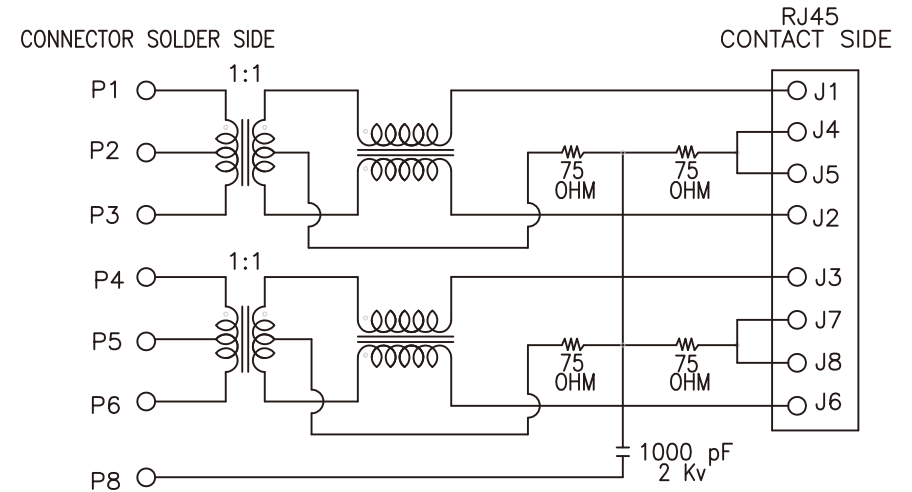
8P8C

DESCRIPTION: MODULAR JACK, RJ45, GIGABIT, WITH LED & SHELL, SIDE ENTRY

## TRANSFORMER TYPE 1

Specification :

Item	Parameter	Condition	Min.	Typ.	Max.	Unit	REMARK
1	Insertion loss	1-100 MHz			-1	dB	
2	Return loss	1-30 MHz	-20			dB	
		30-60 MHz	-15			dB	
		60-80 MHz	-12			dB	
3	Primary Inductance @100KHz, 0.1Vrms, 8mA DC BIAS	(J1-J2), (J3-J6)	350			uH	
4	Crosstalk	1-100 MHz	-35			dB	
5	Hipot	Vrms	1.5			kV	
6	COMMON MODE REJECTION	1-100 MHz	-35			dB	



**RoHS Compliant**

TOLERANCES ARE

**MORETHANALL**  
PCB CONNECTORS  
Cable ASSEMBLIES

DRAWING BY CY

X ±

CHECKED BY GENIUS

.X ± 0.25

UNIT / mm

SCALE 1 : 1

.XX ± 0.15

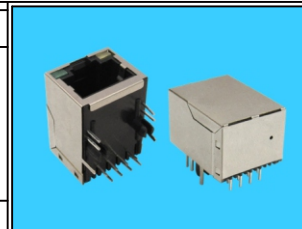
.XXX ± 0.05

DATE

ANG ±

SIZE A4

PPOJECTION



**ORDER INFORMATION**

**MJF13T25UL-KX06B3GY24-0808**

SERIES

BLACK

06u" GOLD

NON EAR

LED1 : GREEN

LED2 : YELLOW

REAR TAB 3.05mm

8P8C

**煜倫股份有限公司**

[www.morethanall.com](http://www.morethanall.com)

DESCRIPTION: MODULAR JACK, RJ45, GIGABIT, WITH LED & SHELL, SIDE ENTRY