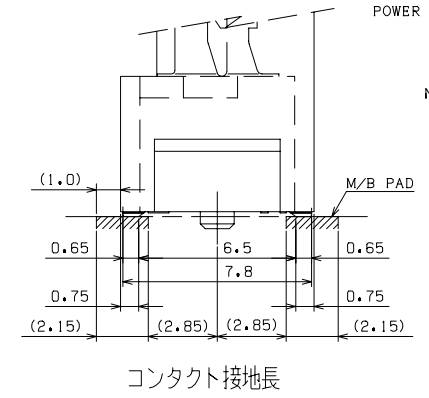


推奨SOCKET レイアウト寸法



DETAIL C
MECHANICAL KEY TYPE

NOTES.

- 材質: ハウジング: LCP樹脂, UL94V-0, 色: 自然色
コンタクト: リン青銅
メタルラッチ: ステンレス
MATERIAL: HOUSING: LCP, UL94V-0, COLOR: NATURAL
CONTACT: PHOS-BRO
METAL LATCH: SUS
- メッキ: コンタクト: 金メッキ (接点部)、ニッケル下地
PLATING: CONTACT (CONTACT POINT): Au PLATE
Ni UNDER PLATE

△ コンタクトを平ら面に置き、端子半田付け部の厚きは、0.1mm以下
MUST BE MEASURED FLOATING AMOUNT OF CONTACT TAILS
FROM DATUM SURFACE IS 0.1mm MAX.

△ 公差非累積
TOLERANCES NON-CUMULATIVE

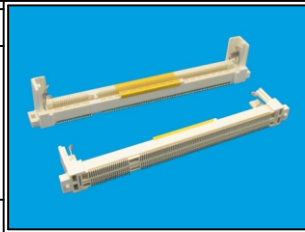
1.8V	TYPE 2	SDM6-V78V18-40A6
2.5V	TYPE 1	SDM6-V78V25-40A6
POWER SUPPLY	KEY TYPE	PART NO. OF CONNECTOR

MORETHANALL
PCB CONNECTORS
Cable ASSEMBLIES
煜倫股份有限公司
www.morethanall.com

RoHS Compliant

DRAWING BY CY
CHECKED BY GENIUS
UNIT / mm SCALE 1:1
DATE
SIZE A4 PPROJECTION

TOLERANCES ARE
X, ±
.X ±
.XX ±
.XXX ±
ANG ±

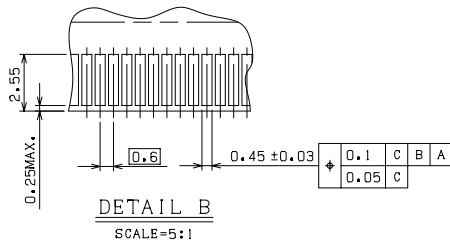
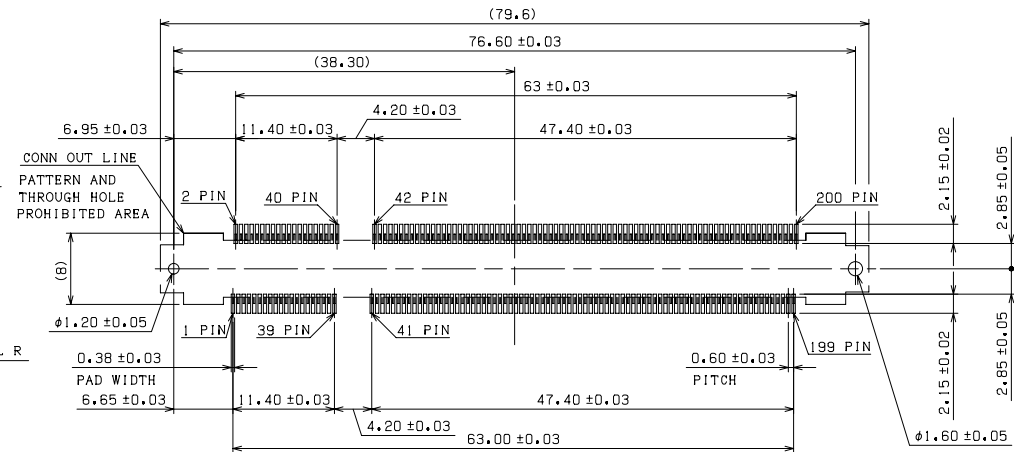
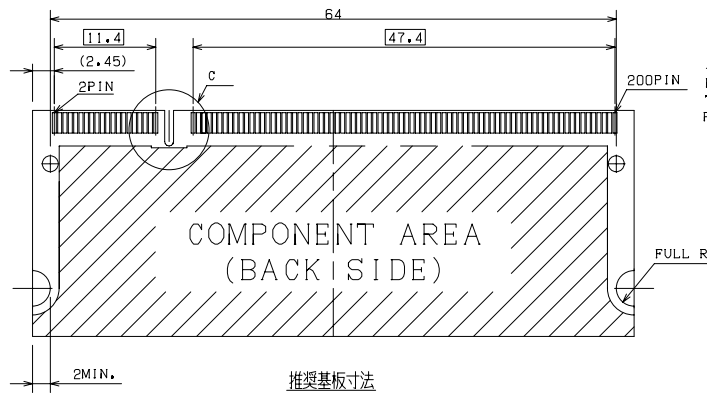
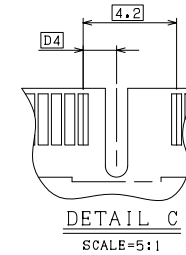
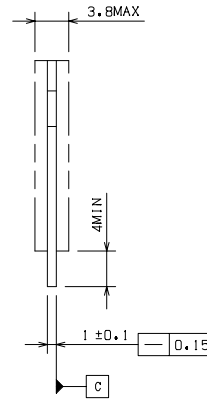
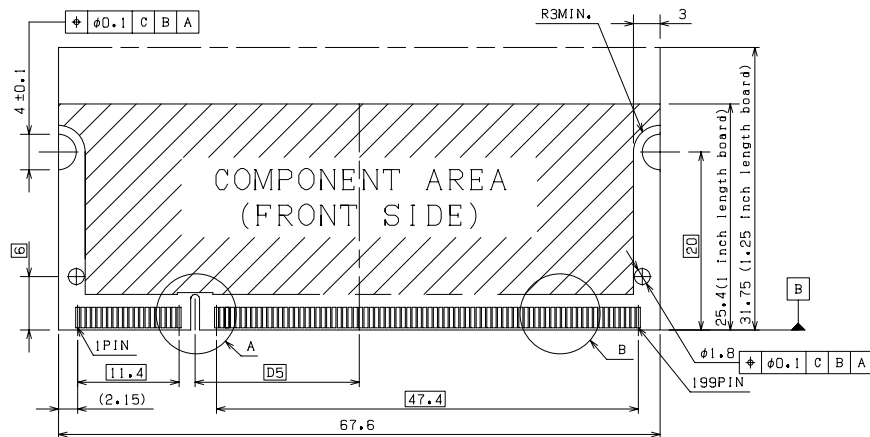


ORDER INFORMATION

SDM6-V78Vxx-40A6-LF

SERIES | LEADFREE
200 WAY
V18: 1.8V
V25: 2.5V
WIDTH 7.8mm
180° SMT

DESCRIPTION: DDR S.O DIMM SOCKET VERTICAL TYPE A FOR 200PIN DDR S.O DIMM



注記: (SHEET 2 に適用)
 NOTES: (APPLIED TO SHEET 2)
 1. 一般公差 ± 0.15
 TOLERANCES ON ALL DIMENSION ± 0.15 UNLESS OTHERWISE SPECIFIED.
 2. 基板厚寸法は、メッキ厚を含む。
 P.C. BOARD THICKNESS APPLIES ACROSS TABS AND INCLUDES PLATING AND/OR METALIZATION.
 3. パット部の仕上げ: ニッケル下地メッキ 0.002MIN. 厚の以上、金メッキ 0.000756MIN. 厚を施す。
 FINISH OF PAD: GOLD PLATING 0.00076MIN. OVER Ni PLATING 0.002MIN.

1.8V	17.55	2.4	2.7
2.5V	18.45	1.5	1.8
POWER SUPPLY	D5	D4	D3

RoHS Compliant

TOLERANCES ARE

MORETHANALL
 PCB CONNECTORS
 Cable ASSEMBLIES

DRAWING BY CY

X, \pm

CHECKED BY GENIUS

.X, \pm

UNIT / mm

SCALE 1:1

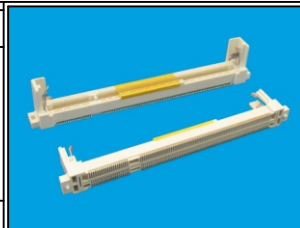
.XXX, \pm

DATE

ANG, \pm

SIZE A4

PJECTION



ORDER INFORMATION

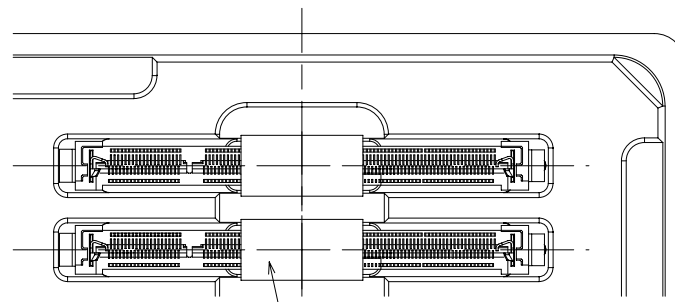
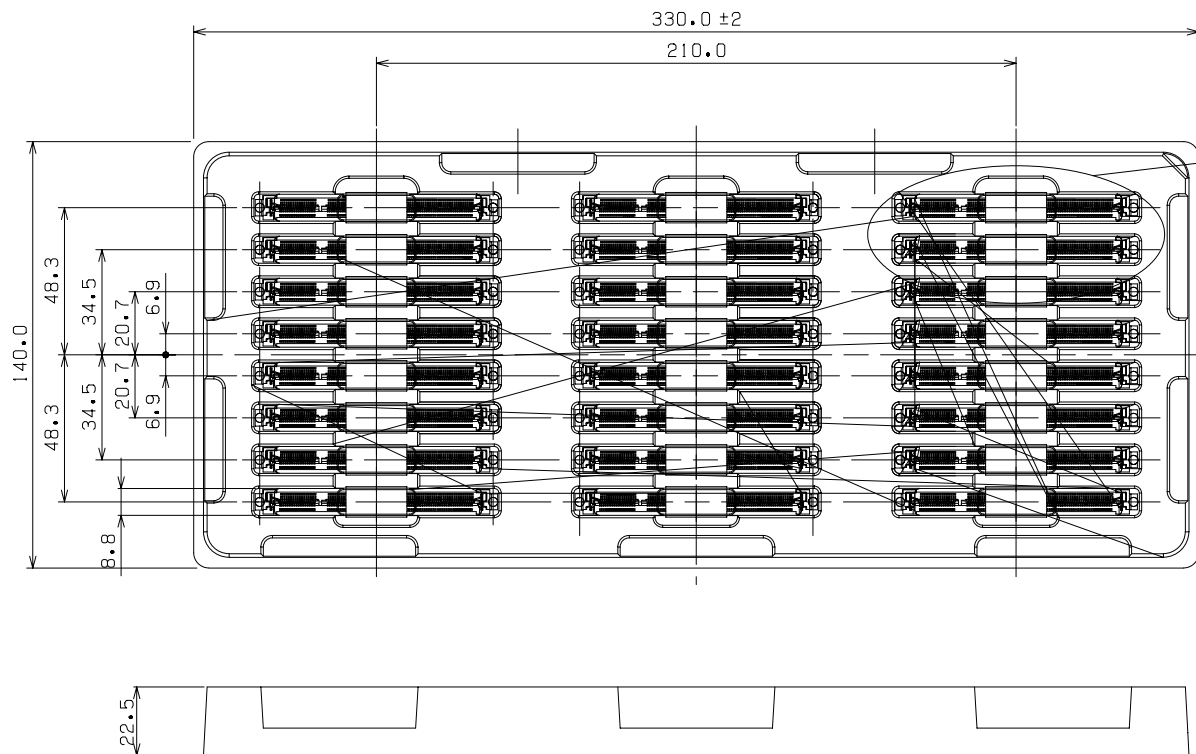
SDM6-V78Vxx-40A6-LF

SERIES | LEADFREE
 | 200 WAY
 | V18:1.8V
 | V25:2.5V
 | WIDTH 7.8mm
 | 180°SMT

煜倫股份有限公司

www.morethanall.com

DESCRIPTION: DDR S.O DIMM SOCKET VERTICAL TYPE A FOR 200PIN DDR S.O DIMM



吸着実装用テープ、サイズ：10×20mm
TAPE, SIZE: 10X20mm

24	TYPE 2	SDM6-V78V18-40A6
24	TYPE 1	SDM6-V78V25-40A6
QTY.	KEY TYPE	PART NO. OF CONNECTOR

RoHS Compliant

TOLERANCES ARE



煜倫股份有限公司

www.morethanall.com

DRAWING BY CY

CHECKED BY GENIUS

UNIT / mm

SCALE 1:1

DATE

SIZE A4

X. ±

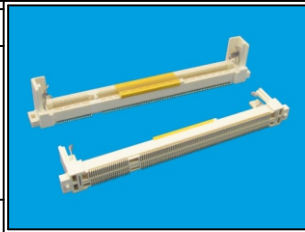
.X ±

.XX ±

.XXX ±

ANG ±

PPOJECTION



ORDER INFORMATION

SDM6-V78Vxx-40A6-LF

SERIES	LEADFREE
	200 WAY
	V18:1.8V
	V25:2.5V
WIDTH 7.8mm	
180°SMT	

DESCRIPTION: DDR S.O DIMM SOCKET VERTICAL TYPE A FOR 200PIN DDR S.O DIMM