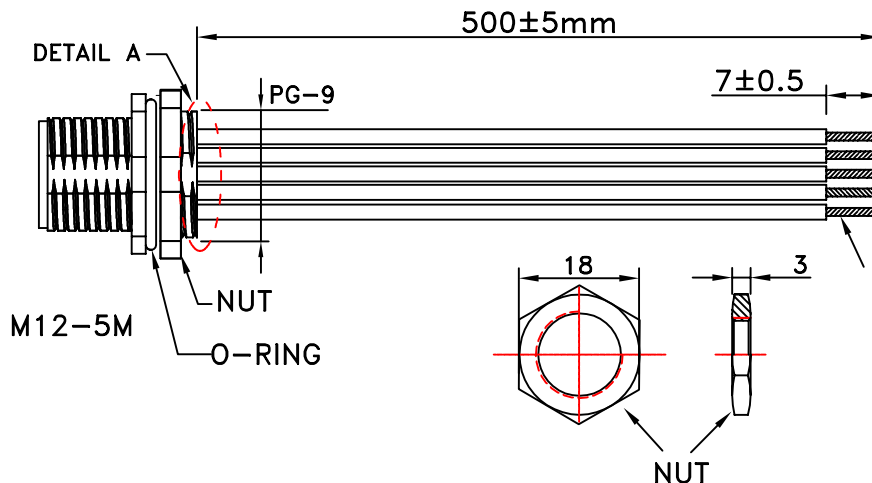
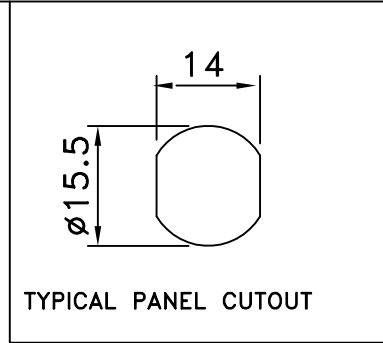


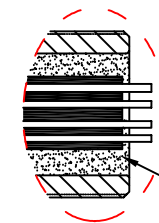
FRONT VIEW



STRIPPED AND TINNED



TYPICAL PANEL CUTOUT



GLUE:EPOXY BLACK

DETAIL A

***CONSTRUCTION:

- 1.HOOK-UP WIRE: * UL1569 22AWG*1C OD:1.56mm
 COLOR: BROWN,WHITE,BLUE,BLACK,GREY.

***CONNECTORS:

- 2.M12-5M: * M12 5PIN MALE SOLDER TYPE.
 * PINS: BRASS WITH GOLD PLATED.
 * INSULATOR: NYLON BLACK 66 UL 94V-0 RATED.
 * SHELL: ZINC ALLOY WITH NICKEL PLATED.
 * O-RING: SILICONE RUBBER BLACK COLOR.
 * NUT: PG-9, BRASS WITH NICKEL PLATED.

3.GLUE:

- * EPOXY BLACK COLOR.

4.TEST:

- * CT:2 Ohm IS:5M ohm.

5.ELECTRICAL:

- * CURRENT RATING: 4A VOLTAGE RATING: 125V.

6.PACKING:

- * PACK EACH CABLE IN A POLY BAG.

7.MATERIAL:

- * MATERIAL WITH RoHS GRADE.

PIN OUT

M12-5M

1	BROWN	NC
2	WHITE	NC
3	BLUE	NC
4	BLACK	NC
5	GREY	NC

RoHS Compliant

TOLERANCES ARE



煜倫股份有限公司

www.morethanall.com

DRAWING BY CY

CHECKED BY GENIUS

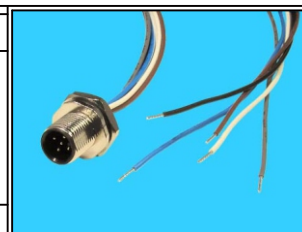
UNIT / mm SCALE 1 : 1

DATE

SIZE A4

X.±
 .X±
 .XX±
 .XXX±
 ANG±

P PROJECTION



ORDER INFORMATION

M12X1-050022W1PANO-M50C

SERIES

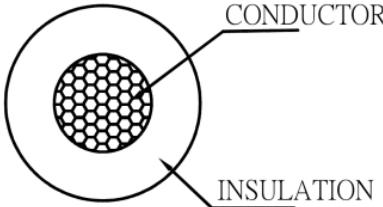
05 WAY

WIRE
 22 AWG

500mm
 MALE
 NUT+O-RING
 PANEL FRONT

DESCRIPTION: 5PIN MALE TO OPEN

SPECIFICATION

STYLE	UL1569		
SIZE	UL1569 22AWG	RATING	105°C, 300V
STANDARD	UL SUBJECT 758	UL FILE NO.	E201140
APPLICATION	INTERNAL WIRING OF ELECTRONIC AND ELECTRICAL EQUIPMENT		
CONDUCTOR	Size	22 AWG	
	Material	17/0.16(Tinned Copper)	
	Conductor Diameter	0.76mm	
INSULATION	Material	PVC	
	MIN.AVG Thickness	0.38mm	
	Diameter	Φ 1.6±0.05	
	Color	Optional	
ELECTRICAL PROPERTIES	Conductor Resistance	At 20°C, 55 Ω/km Max.	
	Insulation Resistance	10MΩ.km Min.	
	Dielectric Strength	AC 2KV Min. 1minutes	
PHYSICAL PROPERTIES	Un-aged	Strength	1500PSI Min.
		Elongation	100% Min.
	After Air Aging	Strength	Un-aged 70% Min. (136±2°C×168hrs)
		Elongation	Un-aged 65% Min. (136±2°C×168hrs)
HEAT SHOCK TEST		Not any crachs (121±1°C *1H)	
DEFORMATION TEST		≤ 50% (121±1°C *1H)	
COLD-BEND TEST		Not any crachs (-10±1°C *4H)	
MARKING		兄 AWM E201140 1569 VW-1 105°C 300V 22AWG ALEX C兄 AWM I A 105°C 300V FT1 22AWG ALEX -LF-	
FIGURE: <div style="text-align: center; margin-top: 20px;">  </div>			

RoHS Compliant

TOLERANCES ARE

MORETHANALL
PCB CONNECTORS
Cable ASSEMBLIES

DRAWING BY CY

CHECKED BY GENIUS

UNIT / mm

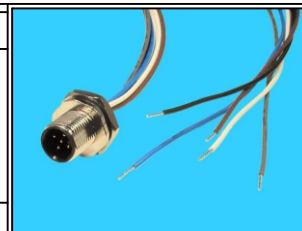
SCALE 1 : 1

DATE

SIZE A4

X, ±
.X ±
.XX ±
.XXX ±
ANG ±

PJECTION 



ORDER INFORMATION

M12X1-050022W1PANO-M50C

SERIES

05 WAY

WIRE
22 AWG

500mm
MALE
NUT+O-RING
PANEL FRONT

煜倫股份有限公司

www.morethanall.com

DESCRIPTION: