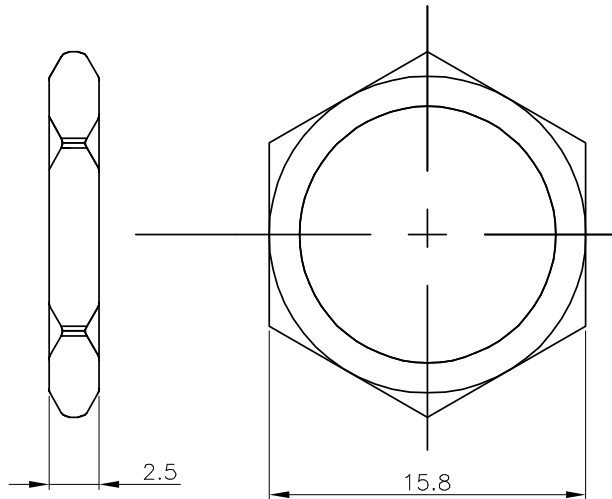
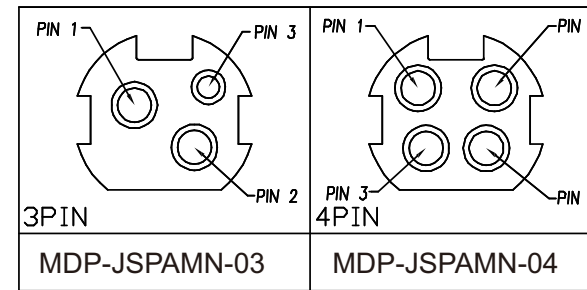


PANEL CUT-OUT



④ SCREW



4	SCREW	1	BRASS	Ni	PLATED
3	SHELL	1	BRASS	Ni	PLATED
2	CONTACT FOOT	3or4	PHOSPHOR BRONZE	Sn	PLATED
1	HOUSING	1	PBT		BLACK
LTR	PART NAME	QTY	MATERIAL	REMARK	

UNLESS OTHERWISE SPECIFIED, TOLERANCE ON DECIMAL: ± 0.3

RoHS Compliant

TOLERANCES ARE

MORETHANALL
PCB CONNECTORS
Cable ASSEMBLIES

DRAWING BY CY

X. \pm

CHECKED BY GENIUS

.X \pm

UNIT / mm

SCALE 1 : 1

.XX \pm

DATE

.XXX \pm

ANG \pm

SIZE A4

PJECTION



ORDER INFORMATION

MDP-JSPAMN-xx-LF
SERIES | | | | LEADFREE
| | | | 03.04 WAY
| | | | NUT
| | | | METAL
| | | | PANEL FRONT
| | | | SOLDER
JACK

DESCRIPTION: POWER DIN SOCKET

煜倫股份有限公司

www.morethanall.com