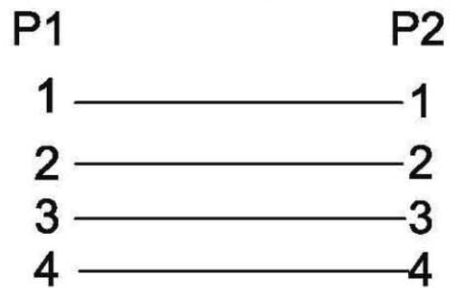


PIN OUT



NO.	P/NAME	DESCRIPTION	Q'TY
1	CABLE	UL1571 28AWG*4P GREY WIRE L:85mm	1
2	HOUSING	PH1.25 GH-H-04 housing	1
3	TERMINAL	PH1.25 GH-T-28 Terminal	4
4	Conn.	USB "A" TYPE FEMALE USB-SDWH-4A	1

RoHS Compliant

TOLERANCES ARE

MORETHANALL
PCB CONNECTORS
Cable ASSEMBLIES

煜倫股份有限公司

www.morethanall.com

DRAWING BY CY

CHECKED BY GENIUS

UNIT / mm SCALE 1 : 1

DATE

SIZE A4

X. ±

.X ±

.XX ±

.XXX ±

ANG ±

PJECTION

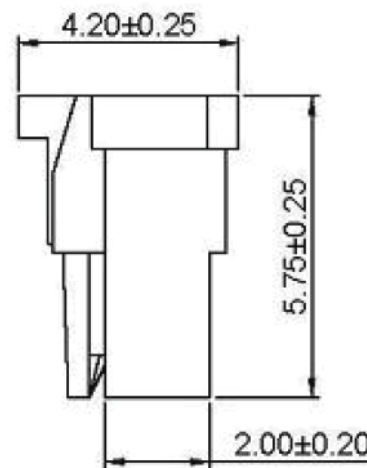
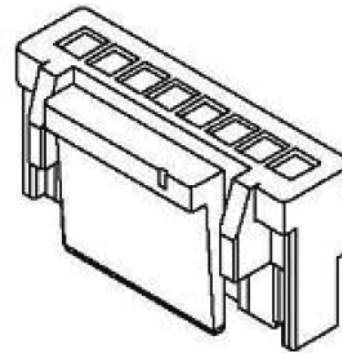
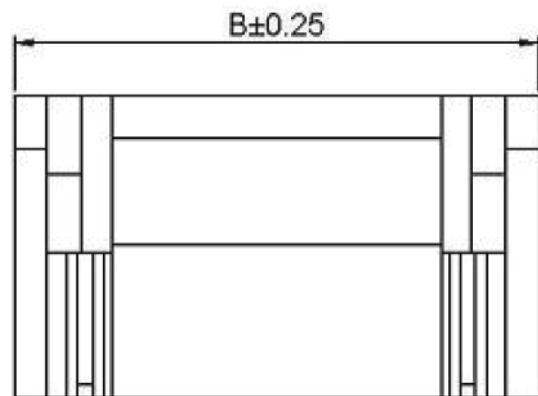
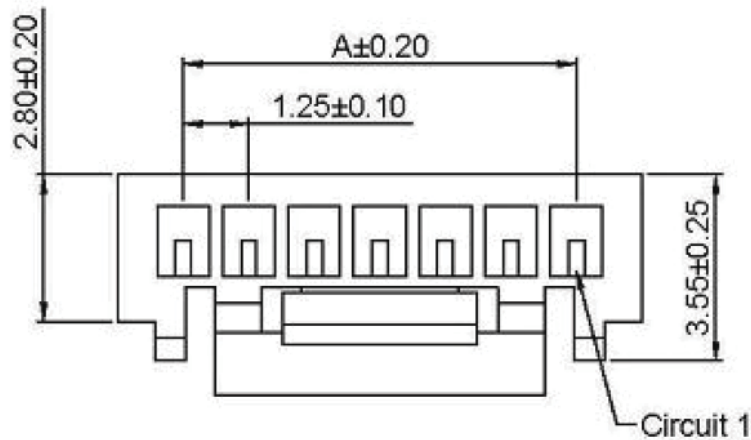


ORDER INFORMATION

GHUB-044A28C1-F8C5-LF

SERIES GH 4P 28 AWG COMBO WIRE FEMALE TO FEMALE LEADFREE 85mm
USB 4 PIN A TYPE

DESCRIPTION:



Reference Informations:
 *Material:Nylon 66,UL94V-0
 *Color:White

Ordering Information & Dimensions:

Poles	Dimension (mm)	
	A	B
2	1.25	3.75
3	2.50	5.00
4	3.75	6.25
5	5.00	7.50
6	6.25	8.75
7	7.50	10.00
8	8.75	11.25
9	10.00	12.50
10	11.25	13.75
11	12.50	15.00
12	13.75	16.25
13	15.00	17.50
14	16.25	18.75
15	17.50	20.00

RoHS Compliant

TOLERANCES ARE

MORETHANALL
 PCB CONNECTORS
 Cable ASSEMBLIES

煜倫股份有限公司

www.morethanall.com

DRAWING BY CY

CHECKED BY GENIUS

UNIT / mm SCALE 1 : 1

DATE

SIZE A4

X. ±
 .X ±
 .XX ±
 .XXX ±
 ANG ±

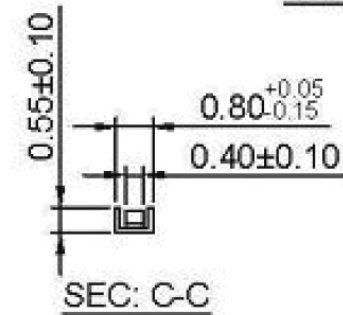
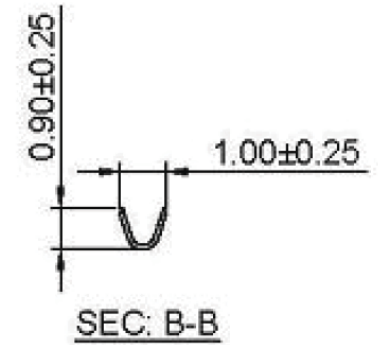
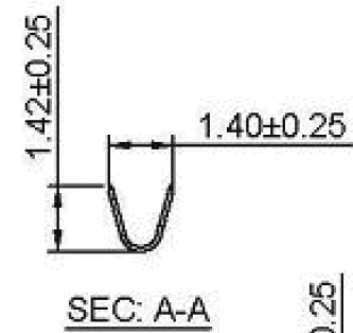
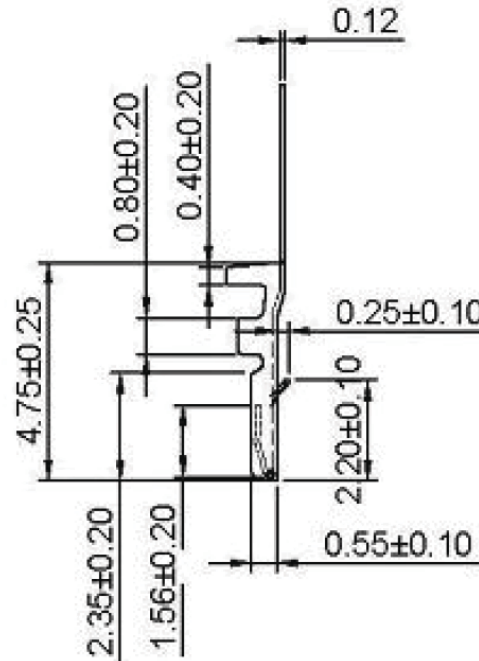
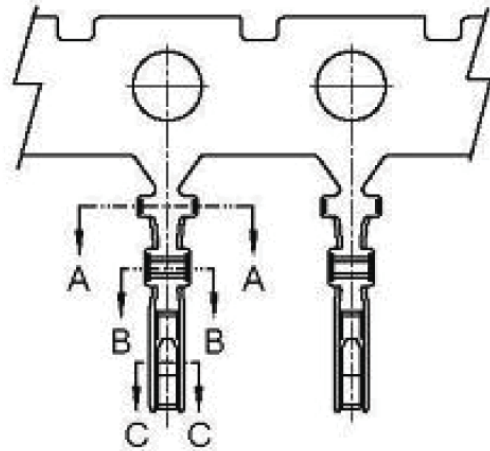
P PROJECTION

照片框

ORDER INFORMATION

GH-H-xx-LF
 SERIES | LEADFREE
 02-15 WAY
 HOUSING

DESCRIPTION:



Ordering information & Specifications:

Unit:mm

Part NO	Wire Range	Insulation O.D.	Material	Finish	Qty/reel
GH-T-28	AWG#28-#32	1.00mm(max)	Phosphor Bronze	Tin over Nickel	20,000 PCS

RoHS Compliant

TOLERANCES ARE

MORETHANALL
PCB CONNECTORS
Cable ASSEMBLIES

煜倫股份有限公司

www.morethanall.com

DRAWING BY CY

CHECKED BY GENIUS

UNIT / mm SCALE 1 : 1

DATE

SIZE A4

X.±
.X±
.XX±
.XXX±
ANG±

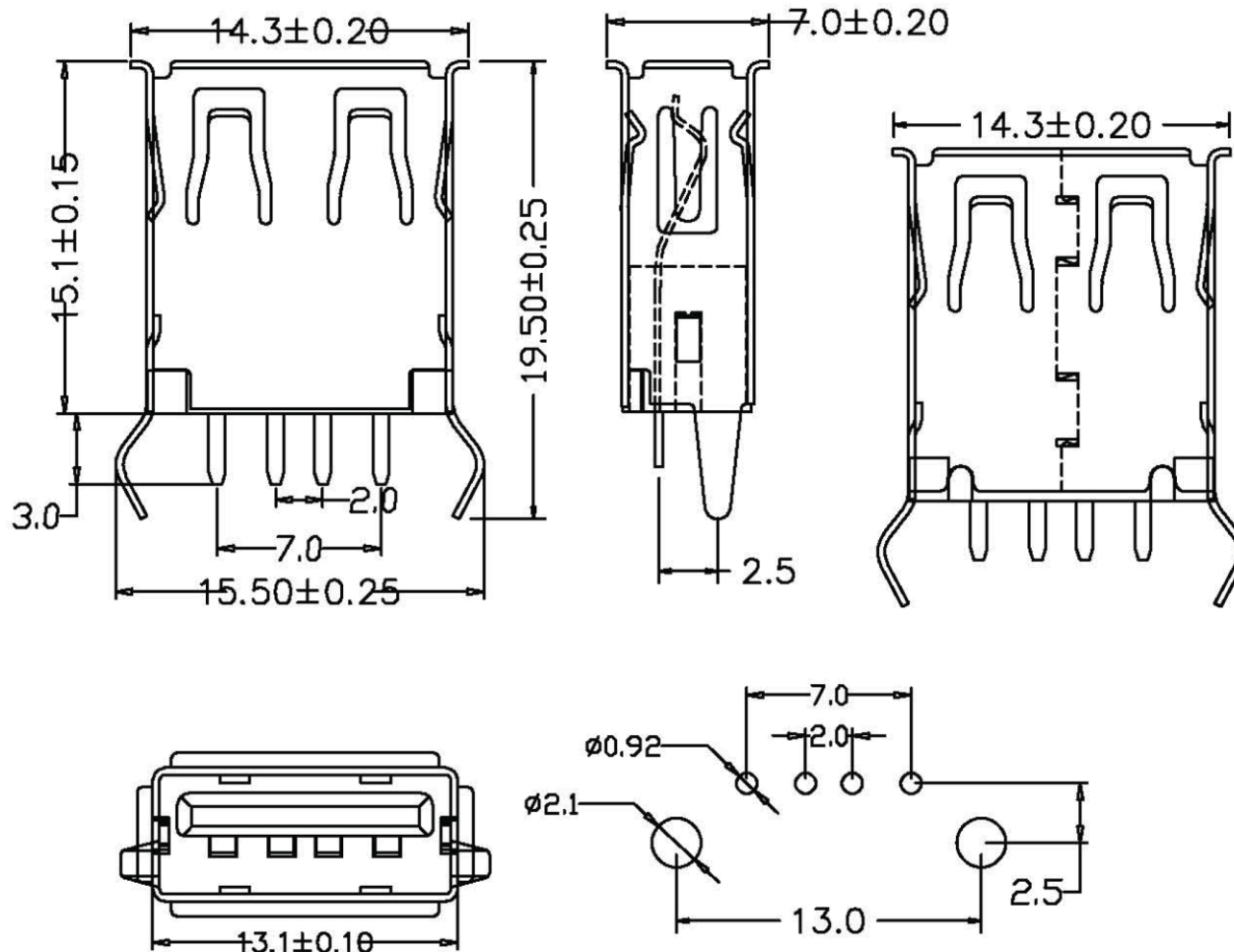
PJECTION

照片框

ORDER INFORMATION

GH-T-28-LF
SERIES | LEADFREE
28-32 AWG
TERMINAL

DESCRIPTION:



规格说明: Specifications:

电气特性: Electrical:

- 额定电流: Current Rating
1.5A/contact terminal
- 额定电压: Voltage Rating
30V DC
- 接触电阻: Contact Resistance
30 milliohms MAX
- 耐电压: Dielectric Withstanding Voltage:
500 V AC AT Sea Level
- 绝缘电阻: Insulation Resistance:
1000MEGA ohms MIN

物理性能: Mechanical:

- 插拔力: Connector Mate and Unmate Force
Mate force: 3.57kgf(MAX)
Unmate force: 1.02kgf(MIN)

原材料: Material:

- 塑胶: Housing:
Hing Temperature Thermoplastics,

- 端子: Contact: Copper Alloy C2680
- 外壳: Shell: Copper Alloy C2680/SPCC

电镀: Finish:

- 端子: Contact: Plated Gold in Mating Area
Tin On Solder Talls

端子四周镀50U”(MIN)镍,镀金区域镀100-200U”镀金1U”

- 外壳: Shell:
铜壳四周镀80U”(MIN)镍

Nickel Plating

RoHS Compliant

TOLERANCES ARE

MORETHANALL
PCB CONNECTORS
Cable ASSEMBLIES

DRAWING BY CY

CHECKED BY GENIUS

UNIT / mm SCALE 1 : 1

DATE

SIZE A4

X, ±
.X ± 0.20
.XX ± 0.10
.XXX ±
ANG ± 1°

P PROJECTION

照片框

ORDER INFORMATION

USB-SDWH-4A-LF
SERIES | LEADFREE
4 PIN A TYPE
WHITE
DIP 180°
FEMALE

煜倫股份有限公司

www.morethanall.com

DESCRIPTION: