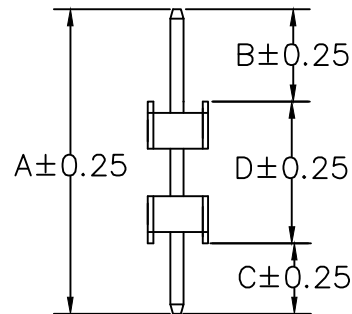
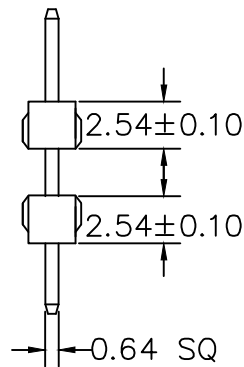


RECOMMENDED P.C.B LAYOUT



MATERIAL

HOUSING : THERMOPLASTIC UL94V-0

CONTACT : COPPER ALLOYS

SPECIFICATION

CURRENT: 3A

OPERATING TEMPERATURE: -55°C TO +105°C

CONTACT RESISTANCE : 20 MILLIOHMS MAX

INSULATION RESISTANCE : 1000 MEGAOHMS MIN

WITHSTANDING VOLTAGE : AC 1000V RMS

A: 18.00 mm B: 3.00 mm C: 3.00 mm

RoHS Compliant

TOLERANCES ARE

MORETHANALL
PCB CONNECTORS
Cable ASSEMBLIES

DRAWING BY CY

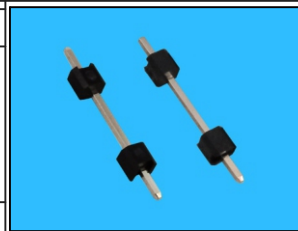
CHECKED BY GENIUS

UNIT / mm

SCALE 1:1

DATE

X. ±
.X ±
.XX ±
.XXX ±
ANG ±



ORDER INFORMATION

HSB-D180030030-1X01-LF
SERIES | | | | LEADFREE
| | | | 01 WAY
| | | | B: 3.0mm
| | | | C: 3.0mm
| | | | TOTAL 18.00mm
DIP180°

煜倫股份有限公司

www.morethanall.com

SIZE A4

PPOJECTION

DESCRIPTION: