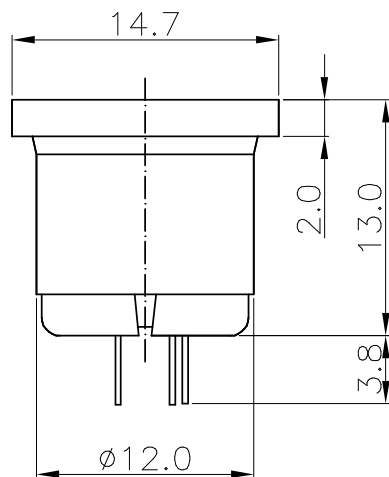


RECOMMEND PANEL CUT-OUT



ELETRICAL SPECICATION :

1. RATED CURRENT : P1~2-7.5A / P3-1A
2. RATED VOLTAGE : 20V/DC MAX

5	COVER	1	PBT	BLACK
4	WASHER	1	BRASS	Ni PLATED
3	SHELL	1	BRASS	Ni PLATED
2	CONTACT FOOT	3	PHOSPHOR BRONZE	Sn PLATED
1	HOUSING	1	PBT	BLACK
LTR	PART NAME	QTY	MATERIAL	REMARK

UNLESS OTHERWISE SPECIFIED, TOLERANCE ON DECIMAL: ± 0.3

RoHS Compliant

TOLERANCES ARE

MORETHANALL
PCB CONNECTORS
Cable ASSEMBLIES

DRAWING BY CY

X. \pm

CHECKED BY GENIUS

.X \pm

UNIT / mm

SCALE 1 : 1

.XX \pm

DATE

.XXX \pm

ANG \pm

煜倫股份有限公司

www.morethanall.com

SIZE A4

PJECTION



ORDER INFORMATION

MDP-JSPEM-03-LF

SERIES | | | | LEADFREE
| | | | 03 WAY
| | | | METAL
| | | | PANEL EAR
| | | | SOLDER
| | | | JACK

DESCRIPTION: POWER DIN SOCKET