
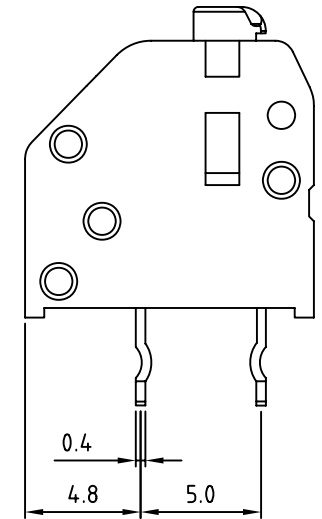
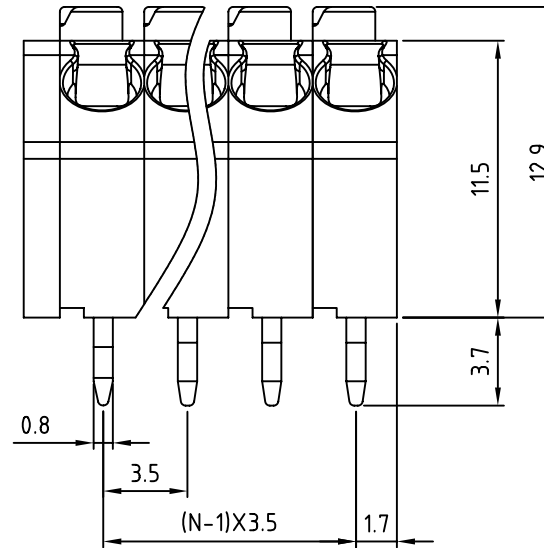
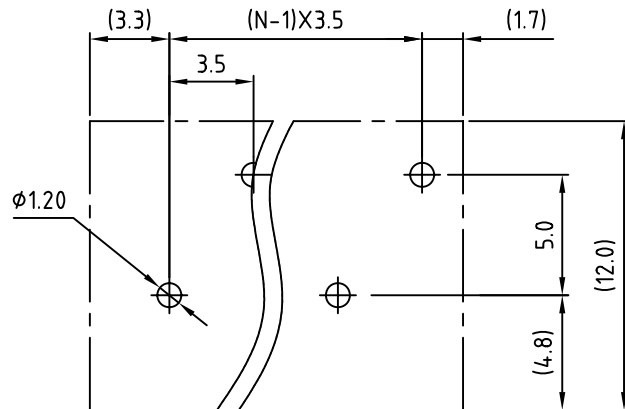
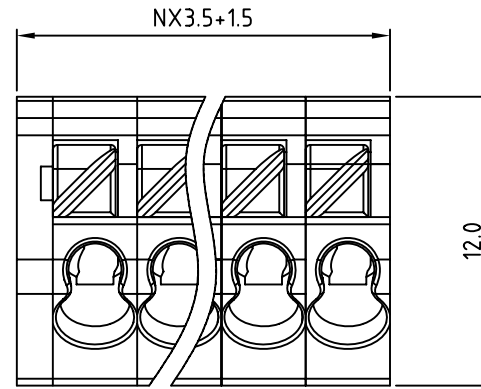


Material

- Terminal body(Contact pin) : PhBz
- Surface of solder tail : Tin plated
- Insulator (housing): Thermoplastic (UL94V-0)

Electrical

- Voltage rating: 300V
- Current rating: 5A
- Wire range:
- Solid wire(AWG): 16-20
- Stranded wire(AWG): 16-20
- Wire strip length: 6-7mm
- Withstanding Voltage: 1.6KV
- Operating temperature: -30° C to +105° C
- Soldering temperature: 245° C ±10° C/5 Sec
- Safety approval : 



N=Number of contacts
P.C.B. LAYOUT

RoHS Compliant

TOLERANCES ARE

MORETHANALL
PCB CONNECTORS
Cable ASSEMBLIES

DRAWING BY CY

CHECKED BY GENIUS

UNIT / mm

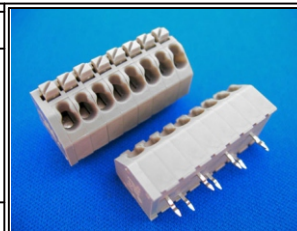
SCALE 1 : 1

DATE

SIZE A4

PPOJECTION 

X, ±
.X ±
.XX ±
.XXX ±
ANG ±



ORDER INFORMATION

TBX035-A12L-xx-LF

SERIES

LEADFREE
02~24 WAY
L TYPE FOOT
HIGH 12.9mm
SLANT DIP

煜倫股份有限公司

www.morethanall.com

DESCRIPTION: