

NOTES:

**\*Material**

Housing: LCP, UL 94V-0 Rated, Color: Black;  
 Contact: Brass, Phosphor Bronze.  
 Plating: Gold Plating Over Nickel on Contact Area; Tin/Lead Plating on Terminal.

**\*Mechanical**

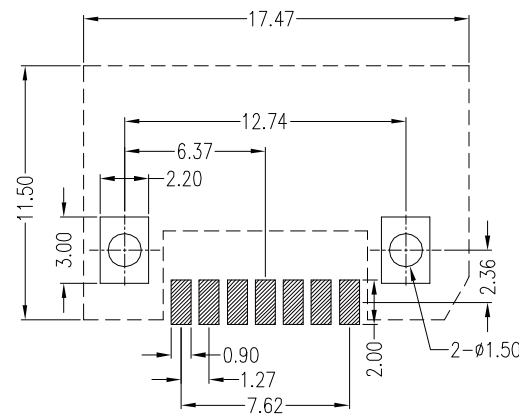
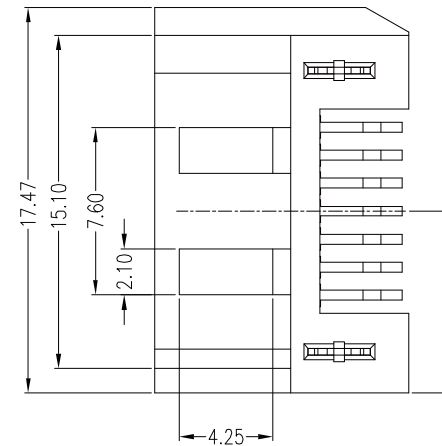
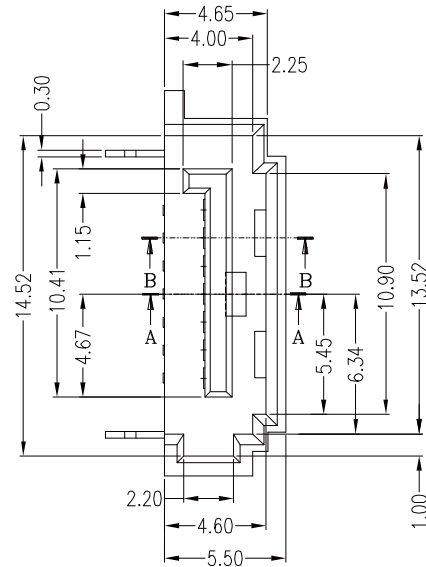
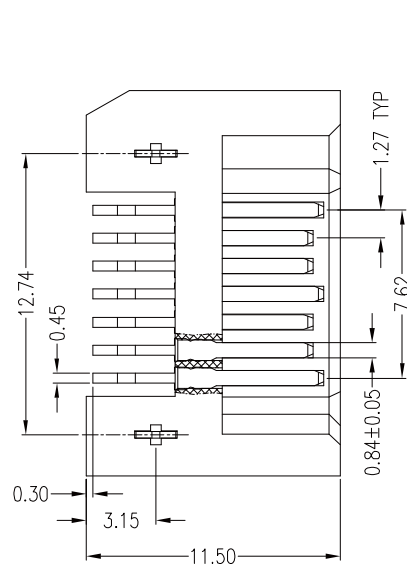
Insertion Force: 45N Max.  
 Withdrawal Force: 10N Min.  
 Durability: 500 Cycles.

**\*Electrical Specification**

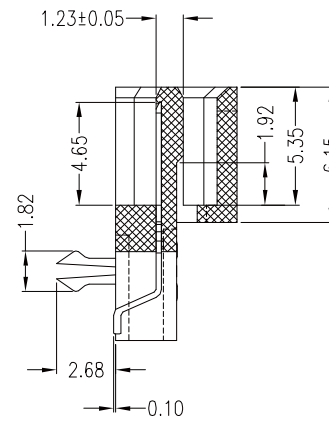
Current Rating: 1.5 Ampere Per Contact;  
 Contact Resistance: 30 Milliohms Max.  
 Insulation Resistance: 1000 Megohms Min.  
 Dielectric Withstanding Voltage: 500 V AC.

**\*Environmental**

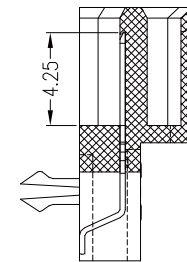
Operating Temperature: -55°C to +125°C.



P.C.B. Layout



SECT A-A



SECT B-B

**RoHS Compliant**

TOLERANCES ARE

**MORETHANALL**  
 PCB CONNECTORS  
 Cable ASSEMBLIES

DRAWING BY CY

X, ±

CHECKED BY GENIUS

.X, ±

UNIT / mm

SCALE 1 : 1

.XXX, ±

DATE

ANG, ±

SIZE A4

P PROJECTION



**ORDER INFORMATION**

**SATA-PWAC-07-LF**

SERIES | | | | LEADFREE  
 | | | | 07 WAY  
 | | | | CAP  
 | | | | UPPER CONTACT  
 | | | | 90°SMT  
 | | | | MALE

DESCRIPTION: Serial ATA 7P for Card Lie Semi Box Two Hole SMT Type

**煜倫股份有限公司**

www.morethanall.com