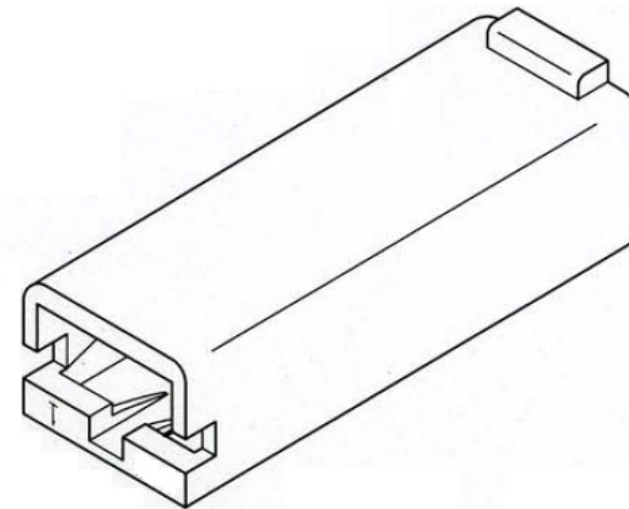


品名	顏色	色號
Q250-FN-01	本色(Natural)	
Q250-FNBK-01	黑色(Black)	F0268
Q250-FNRD-01	紅色(Red)	F0094



材質(Material): 尼龍[PA66 94 V-2]

包裝數量(Standard packing):  
1000 pcs/bag

RoHS Compliant

TOLERANCES ARE

**MORETHANALL**  
PCB CONNECTORS  
Cable ASSEMBLIES

煜倫股份有限公司

www.morethanall.com

DRAWING BY CY

CHECKED BY GENIUS

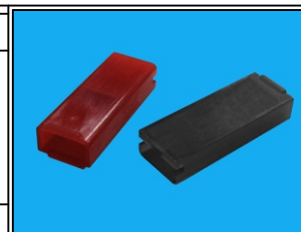
UNIT / mm SCALE 1 : 1

DATE

SIZE A4

X, ±  
.X ±  
.XX ±  
.XXX ±  
ANG ±

PPOJECTION



ORDER INFORMATION

Q250-FNcc-01-LF

SERIES

LEADFREE

01 WAY

BLANK:NATURAL

BK:BLACK

RD:RED

FEMALE NYLON HOUSING

DESCRIPTION: