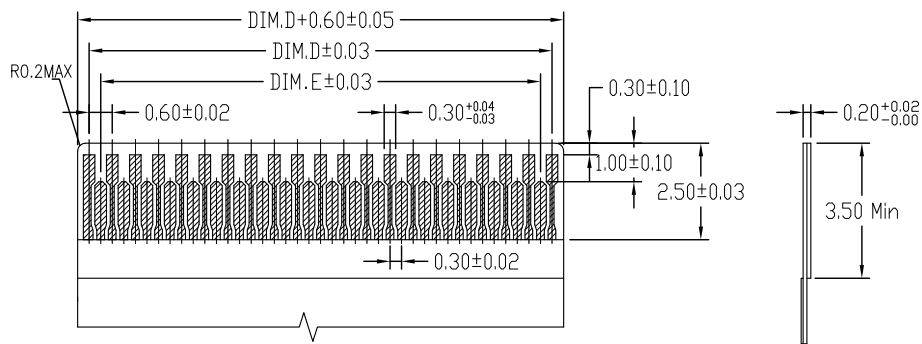
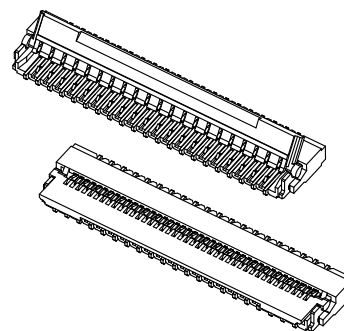
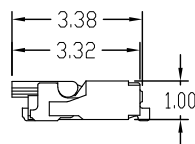
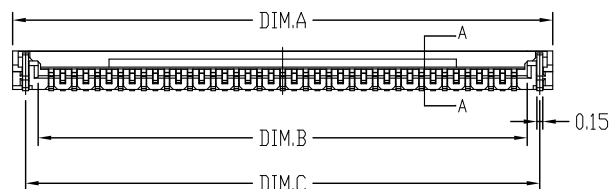


FPC/FFC Insert Direction
Recommended P.C.B Layout



RECOMMENDED FPC DIMENSIONS

Note:

- 1.Material
 - 1.1: Housing: LCP UL94-V0 Color: Natural.
 - 1.2: Actuator: LCP UL94-V0 Color: Black.
 - 1.3: Contact: C5210 .
 - 1.4: LEG: C5210 .
- 2.Plating
 - 2.1: Contact: Gold flash plating.
 - 2.2: LEG: Matte Tin Plating Over All Nickel.
- 3.Rating:
 - 3.1: Operating Voltage: 30V AC/DC.
 - 3.2: Current Rating: 0.2A AC/DC.
 - 3.3: Operating Temperature: -55°C~+85°C.

Number of Contacts	Dimension				
	A	B	C	D	E
13	5.60	4.28	4.93	3.60	3.00
15	6.20	4.88	5.53	4.20	3.60
17	6.80	5.48	6.13	4.80	4.20
19	7.40	6.08	6.73	5.40	4.80
21	8.00	6.68	7.33	6.00	5.40
23	8.60	7.28	7.93	6.60	6.00
25	9.20	7.88	8.53	7.20	6.60
27	9.80	8.48	9.13	7.80	7.20
29	10.40	9.08	9.73	8.40	7.80
31	11.00	9.68	10.33	9.00	8.40
33	11.60	10.28	10.93	9.60	9.00
35	12.20	10.88	11.53	10.20	9.60
37	12.80	11.48	12.13	10.80	10.20
39	13.40	12.08	12.73	11.40	10.80
41	14.00	12.68	13.33	12.00	11.40
43	14.60	13.28	13.93	12.60	12.00
45	15.20	13.88	14.53	13.20	12.60
47	15.80	14.48	15.13	13.80	13.20
49	16.40	15.08	15.73	14.40	13.80
51	17.00	15.68	16.33	15.00	14.40
53	17.60	16.28	16.93	15.60	15.00
55	18.20	16.88	17.53	16.20	15.60
57	18.80	17.48	18.13	16.80	16.20
59	19.40	18.08	18.73	17.40	16.80
61	20.00	18.68	19.33	18.00	17.40
63	20.60	19.28	19.93	18.60	18.00
65	21.20	19.88	20.53	19.20	18.60
67	21.80	20.48	21.13	19.80	19.20
69	22.40	21.08	21.73	20.40	19.80
71	23.00	21.68	22.33	21.00	20.40
73	23.60	22.28	22.93	21.60	21.00

RoHS Compliant

TOLERANCES ARE

MORETHANALL
PCB CONNECTORS
Cable ASSEMBLIES

煜倫股份有限公司

www.morethanall.com

DRAWING BY CY

CHECKED BY GENIUS

UNIT / mm

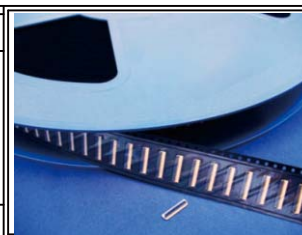
SCALE 1 : 1

DATE

SIZE A4

PJECTION

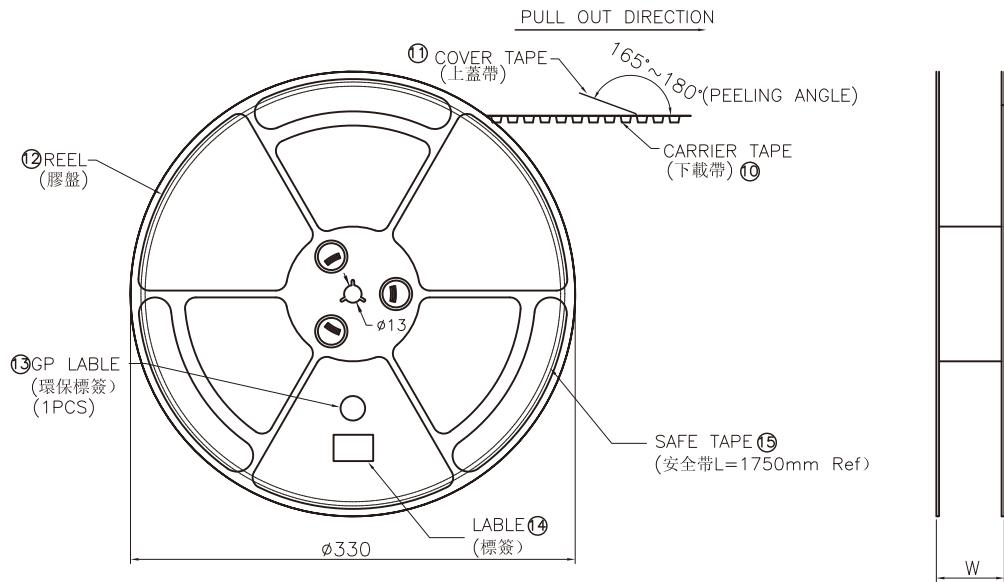
X, ±
.X ± 0.30
.XX ± 0.20
.XXX ±
ANG ± 3°



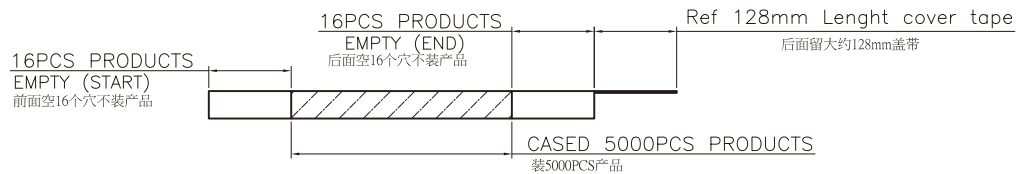
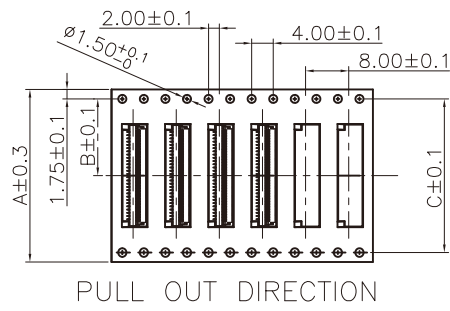
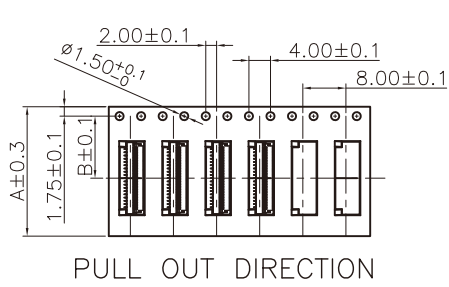
ORDER INFORMATION

FPT-WHB10R-xx-LF
SERIES | | | | LEADFREE
| | | | 13~73WAY
| | | | REEL
| | | | HIGH 1.0mm
90°SMT | | | | BOTTOM CONTACT
| | | | HINGED ZIF

DESCRIPTION:0.3mm FPC CONN

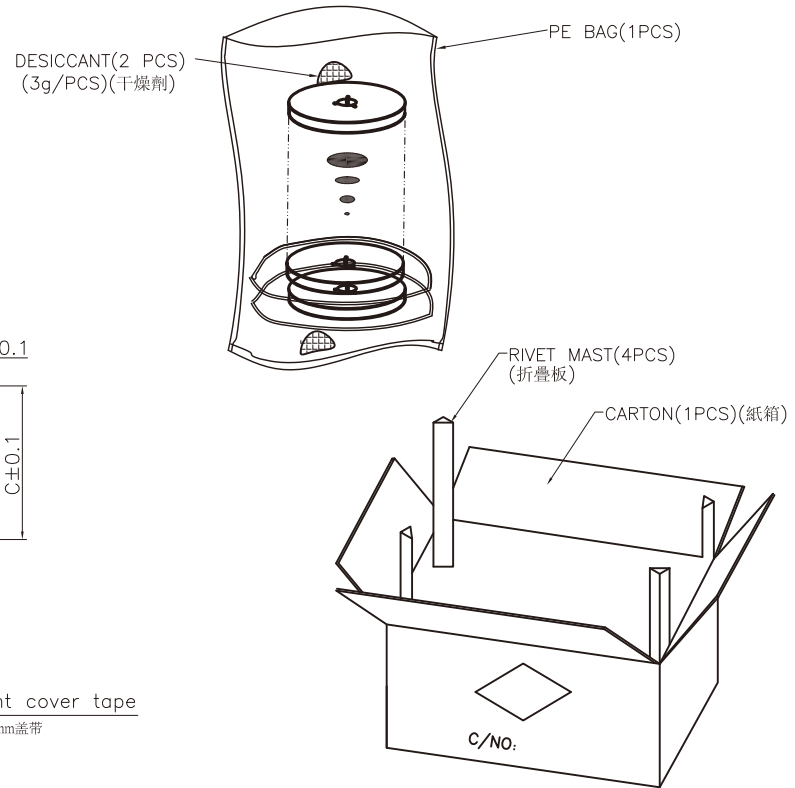


SCALE 1:4



NOTES :

- 1.CARTON SPEC. :350 *350 *290mm(OUT DIM) , PAPPER THICKNESS =5mm
- 2.UPPER and DOWN EPS: 340*340mm THICKNESS =5mm.
- 3.THE COVER TAPE PEELING FORCE:30~100g.
- 4.PER REEL CASED ONE AIR BLADDER BAG.
- 5.CARRIER TAPE COLOR:BLACK.



包裝方式說明：

3. 裝紙箱為34.1*34.1*25CM包裝，一箱放五盤

MORETHANALL
PCB CONNECTORS
Cable ASSEMBLIES

煜倫股份有限公司

www.morethanall.com

RoHS Compliant

DRAWING BY CY

CHECKED BY GENIUS

UNIT/ mm SCALE 1:1

DATE

SIZE A4

TOLERANCES ARE

X. ±

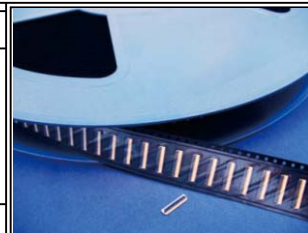
.X ±

.XX ±

.XXX ±

ANG ±

P PROJECTION



ORDER INFORMATION

FPT-WHB10R-xx-LF
SERIES | | | | LEADFREE
| | | | 13~73WAY
| | | | REEL
| | | | HIGH 1.0mm
90°SMT | | | | BOTTOM CONTACT
| | | | HINGED ZIF

DESCRIPTION: