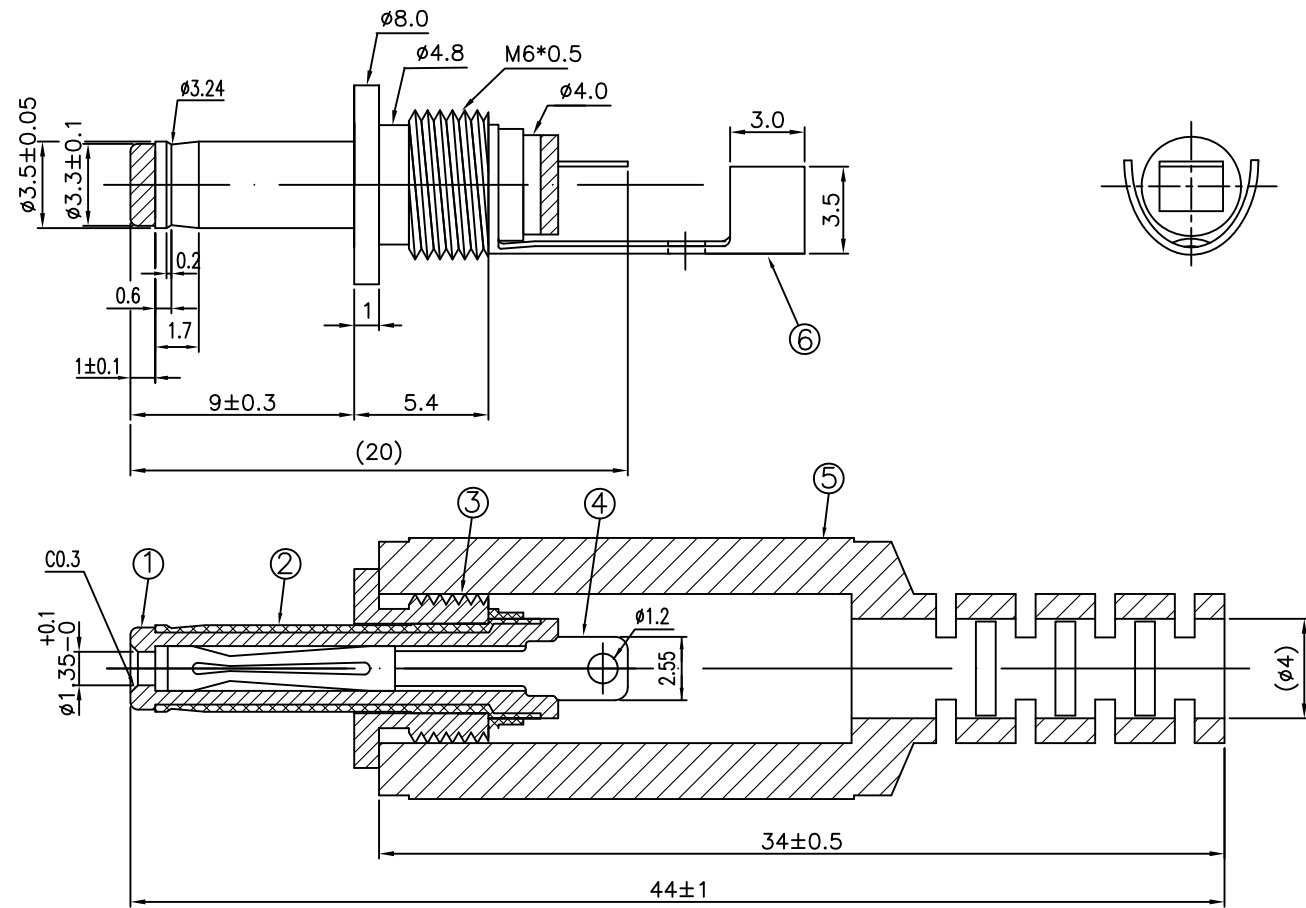


一般公差	
尺寸區分	公差
0>1.0	±0.1
1.0>6.0	±0.2
6.0>12.0	±0.3
12.0>25.0	±0.4
25.0>	±0.5



6	BRASS NICKEL
5	TPR BLACK
4	P-BRONZE NICKEL
3	BRASS NICKEL
2	BRASS NICKEL
1	PBT BLACK
NO	CONTENT

RoHS Compliant

TOLERANCES ARE



DRAWING BY CY

CHECKED BY GENIUS

UNIT / mm SCALE 1 : 1

DATE

SIZE A4

X, ±
.X ±
.XX ±
.XXX ±
ANG ±

P PROJECTION



ORDER INFORMATION

DCP-A-35135-LF
 SERIES | LEADFREE
 ID: 1.35Ø
 OD: 3.5Ø
 ASSEMBLY

DESCRIPTION: DC PLUG $\phi 3.5 * \phi 1.35 * 9.0L$

煜倫股份有限公司

www.morethanall.com