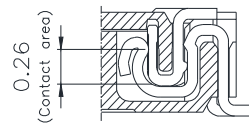
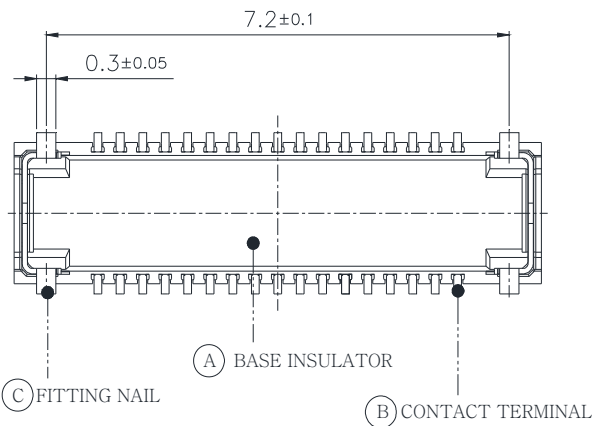
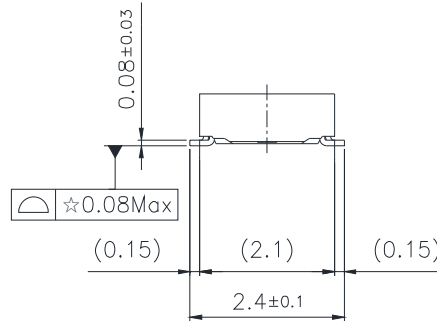
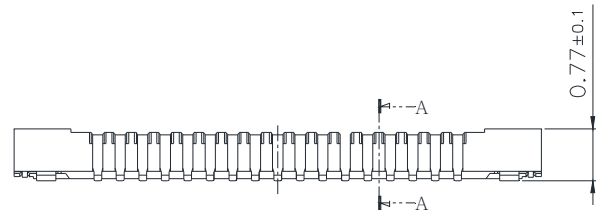


【NOTE】

1. Lead co-planarity (Lead) : ☆ Max 0.08mm (0.08mm)
2. After Re-flow lead co-planarity : ☆ Max 0.08mm (Reflow : ☆ 0.08mm)
- ① 3. 220°C Lead co-planarity (220°C Lead) : Max 0.08mm (0.08mm)
4. ☆ = CTF ★ = CTQ
5. No rust, contamination, damage nor deformation effecting on function.



Mating area (Scale 20:1)

【TABLE】

No.	PART	MATERIAL	FINISH
A	BASE INSULATOR	LCP S475	Black color
B	CONTACT TERMINAL	Corson alloy NKC286-H t:0.080mm	Nickel Barrier ☆Contact : Au 0.1~0.4µm over Nickel 1.5~5µm Lead : Au flash 0.05µm Min over Ni 1.5~5µm
C	FITTING NAIL	Phosphor Bronze C5210-H t:0.080mm	Sn 1.0~5.0µm over Nickel 1.0~5.0µm

RoHS Compliant

TOLERANCES ARE

MORETHANALL
PCB CONNECTORS
Cable ASSEMBLIES

煜倫股份有限公司

www.morethanall.com

DRAWING BY CY

CHECKED BY GENIUS

UNIT / mm

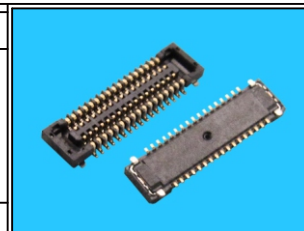
SCALE 1 : 1

DATE

SIZE A4

PPOJECTION

X. ± 0.25
.X ± 0.20
.XX ± 0.10
.XXX ±
ANG ±



ORDER INFORMATION

NP03514-S07X-034-LF

SERIES

LEADFREE

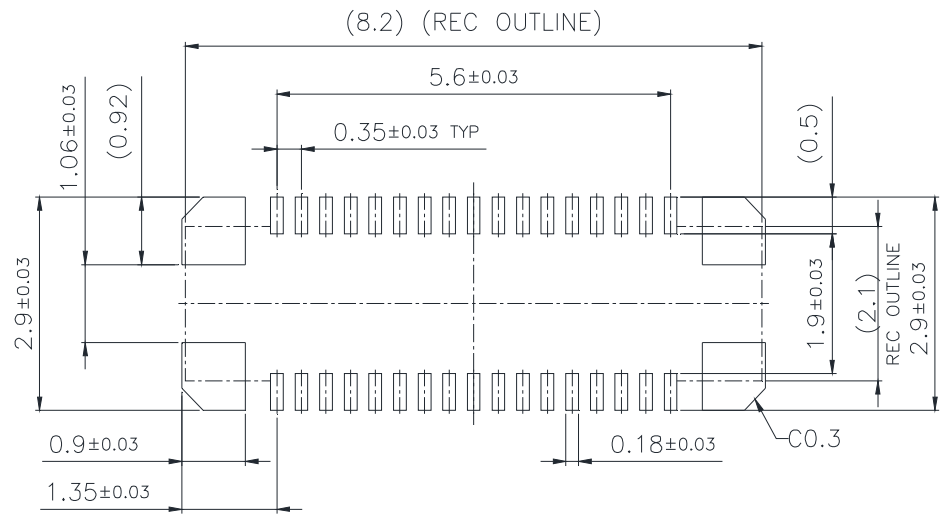
34 WAY

NON POST

UNMATED HIGH 0.7mm

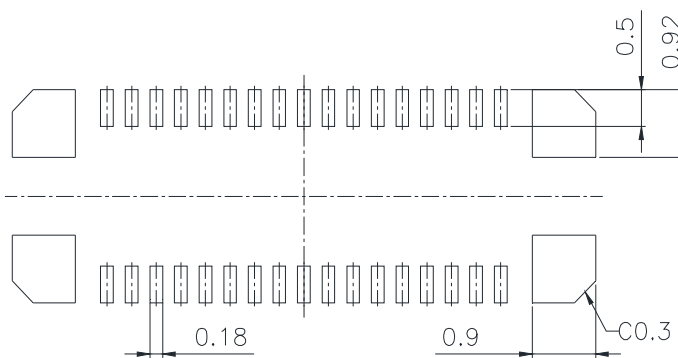
FEMALE

DESCRIPTION: BTB 0.35PITCH H=0.8mm RECEP'

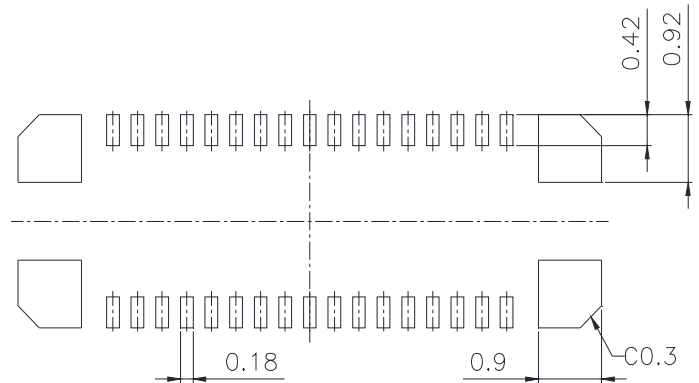


APPLICABLE P.C.B DIMENSION

<<Recommended window size of metal mask>>



MASK (Thickness : 0.10mm)



MASK (Thickness : 0.12mm)

RoHS Compliant

TOLERANCES ARE

MORETHANALL
PCB CONNECTORS
Cable ASSEMBLIES

煜倫股份有限公司

www.morethanall.com

DRAWING BY CY

CHECKED BY GENIUS

UNIT / mm

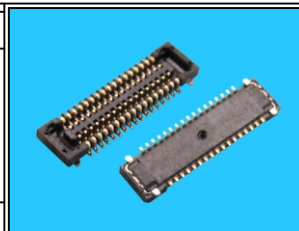
SCALE 1 : 1

DATE

SIZE A4

PPOJECTION

X ± 0.25
X ± 0.20
.XX ± 0.10
.XXX ±
ANG ±



ORDER INFORMATION

NP03514-S07X-034-LF

SERIES

LEADFREE

34 WAY

NON POST

UNMATED HIGH 0.7mm

FEMALE

DESCRIPTION: BTB 0.35PITCH H=0.8mm RECEP'