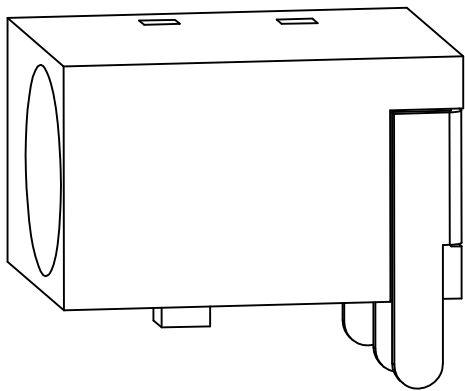


T:1.6 Dimensions of PC board holes
Tolerance : ±0.05(Printed-top view)



CAT. NO.	PIN	SCHEMATIC
DCJ-R40A-165	φ1.65	

5	HOUSING	1	PBT4815	UL94V-0(BLACK)
4	PIN	1	H59(COPPER ALLOY)	Ni PLATED
3	CURVE PIECE	1	C2680 t=0.30	Ag PLATED
2	SPRING PIECE	1	C5191 t=0.30	Ag PLATED
1	CONTACT FOOT	1	C2680 t=0.40	Ag PLATED
LTR	PART NAME	QTY	MATERIAL	REMARK

UNLESS OTHERWISE SPECIFIED, TOLERANCE ON DECIMAL:±0.3

RoHS Compliant

TOLERANCES ARE

MORETHANALL
PCB CONNECTORS
Cable ASSEMBLIES

DRAWING BY CY

X.±

CHECKED BY GENIUS

.X±

UNIT / mm

SCALE 1 : 1

.XX±

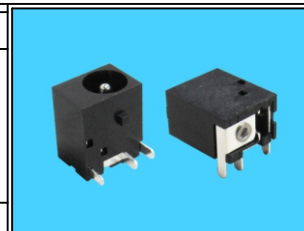
DATE

.XXX±

ANG±

SIZE A4

PJECTION



ORDER INFORMATION

DCJ-R40A-165-LF
SERIES | | | LEADFREE
| | | 1.65Ø
| | | A TYPE
| | | POST 4.0mm
| | | DIP 90°

煜倫股份有限公司

www.morethanall.com

DESCRIPTION: DC POWER JACK