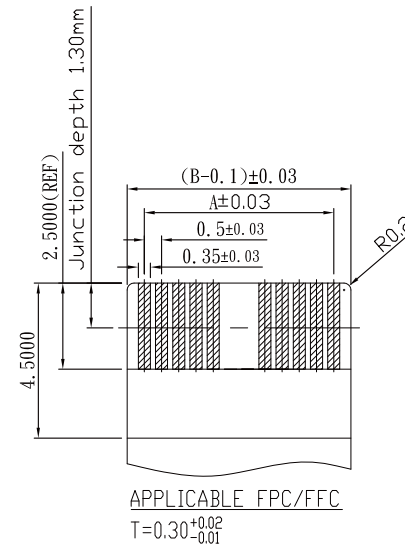
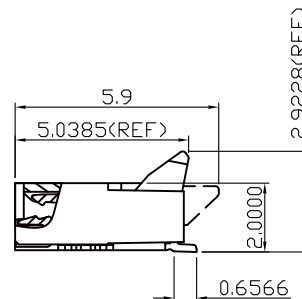
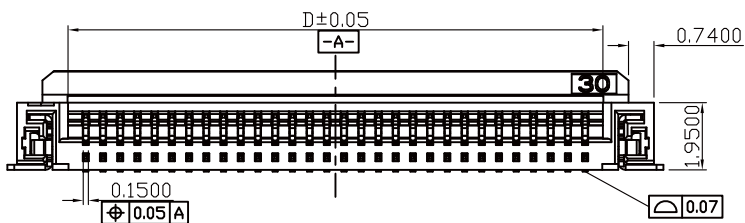
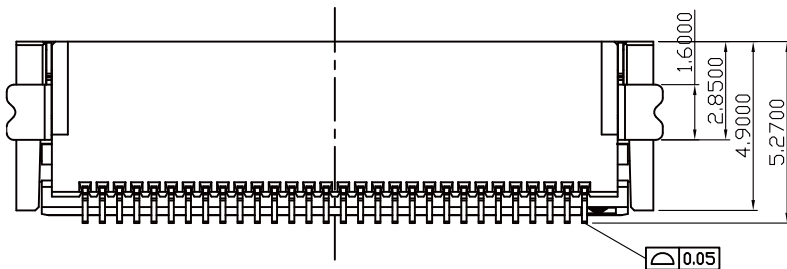


RECOMMENDED PCB LAYOUT

1. FPC NOT MATING CONDITION BANNED CLOSURE
2. ALL MATERIAL MUST BE COMPLY WITH ROHS



NO DIM POSITIONS	A	B	C	D
4	1.50	5.50	6.05	2.55
6	2.50	6.50	7.05	3.55
8	3.50	7.50	8.05	4.55
10	4.50	8.50	9.05	5.55
12	5.50	9.50	10.05	6.55
14	6.50	10.50	11.05	7.55
18	8.50	12.50	13.05	9.55
24	11.50	15.50	16.05	12.55
26	12.50	16.50	17.05	13.55
30	14.50	18.50	19.05	15.55
32	15.50	19.50	20.05	16.55
34	16.50	20.50	21.05	17.55
40	19.50	23.50	24.05	20.55
45	22.00	26.00	26.55	23.05
50	24.50	28.50	29.05	25.55
54	26.50	30.50	31.05	27.55
60	29.50	33.50	34.05	30.55



NO.	COMPONENTS	MATERIALS	COLOR/SPECIFICATION	QUANTITY
1	HOUSING	LCP	NATURAL UL94V-0	1 PCS
2	COVER	LCP	BLACK UL94V-0	1 PCS
3	CONTACT	PHOSPHOR BRONZE	T=0.15mm PLATING	POSITIONS
4	STATOR	BRASS	T=0.15mm PLATING	2 PCS

RoHS Compliant

TOLERANCES ARE

MORETHANALL
PCB CONNECTORS
Cable ASSEMBLIES

DRAWING BY CY

X, ±

CHECKED BY GENIUS

.X ± 0.20

UNIT / mm

SCALE 1 : 1

.XX ± 0.15

DATE

.XXX ± 0.10

ANG ±

SIZE A4

PJECTION



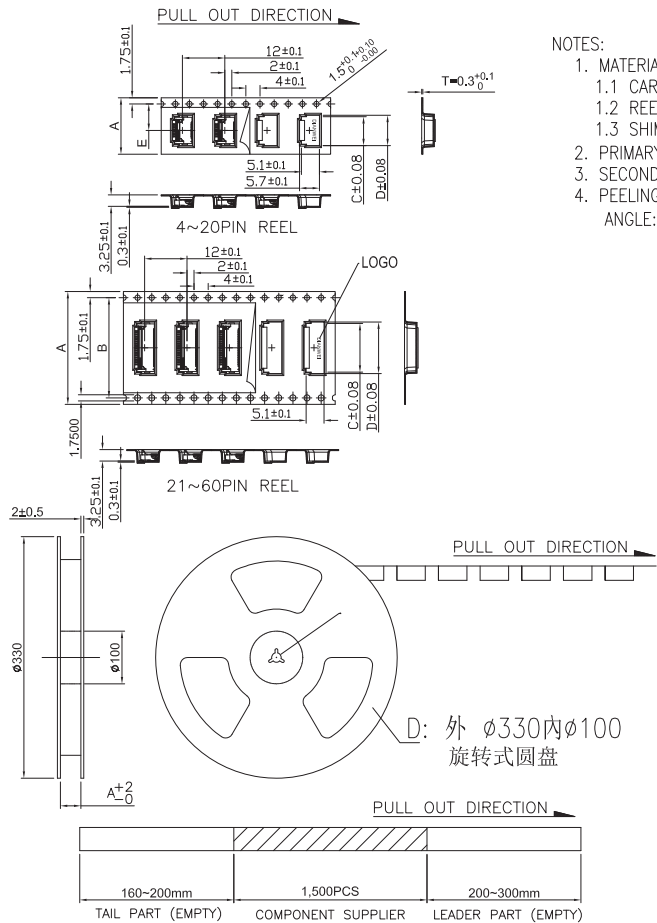
ORDER INFORMATION

FPV-WRD20R-xx-LF
SERIES | | | | LEADFREE
| | | | 04-60WAY
| | | | REEL
| | | | HIGH 2.0mm
90°SMT | | | | DUAL CONTACTS
| | | | ROTARY ZIF

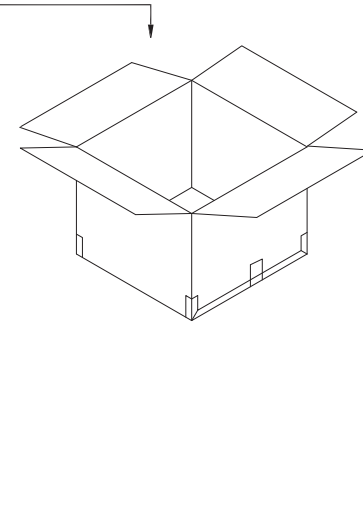
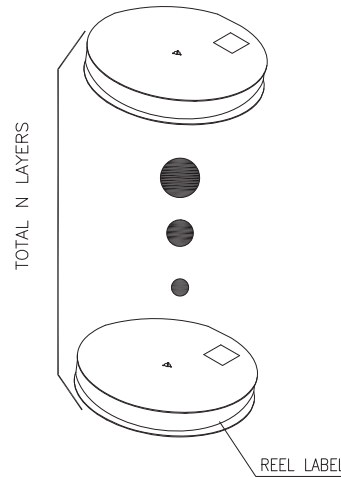
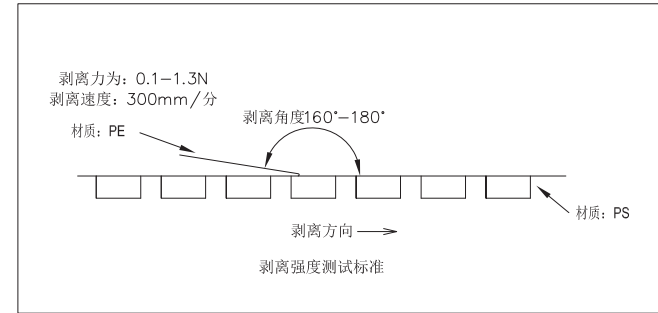
煜倫股份有限公司

www.morethanall.com

DESCRIPTION: 0.5MM ZIF FPC CONNECTER PIANO TYPE H=2.0 (Back-Flip)



- NOTES:
- MATERIAL:
 - CARRY TAPE:HIPS,T=0.30±0.05mm,CLEAR
 - REEL:HIPS,
 - SHIM:PE,CLEAR.
 - PRIMARY PACKING:1,500PCS/REEL.
 - SECONDARY PACKING:SEE PACKING LIST
 - PEELING RESISTANCE: 0.1~1.3N; PEELING ANGLE: 165°~180°; PEELING SPEED: 300mm/minutes.



6. QTY. LIST:

NO. OF POS.	A	B	PCS/盘	N盘/耗 (TOL: PCS)
4~8PIN	16.0	—	1500	15盘(22,500PCS)
9~20 PIN	24.0	—	1500	11盘(16,500PCS)
21~34 PIN	32.0	28.4	1500	8盘(12,000PCS)
35~54 PIN	44.0	40.4	1500	6盘(9,000PCS)
55~60 PIN	56.0	52.4	1500	5盘(7,500PCS)

RoHS Compliant

TOLERANCES ARE

MORETHANALL
PCB CONNECTORS
Cable ASSEMBLIES

DRAWING BY CY

CHECKED BY GENIUS

UNIT / mm

SCALE 1 : 1

DATE

SIZE A4

PPOJECTION

X, ±
.X ± 0.20
.XX ± 0.10
.XXX ± 0.05
ANG ±



ORDER INFORMATION

FPV-WRD20R-xx-LF
SERIES | | | | LEADFREE
| | | | 04-60WAY
| | | | REEL
| | | | HIGH 2.0mm
90°SMT | | | DUAL CONTACTS
| | | | ROTARY ZIF

煜倫股份有限公司

www.morethanall.com

DESCRIPTION: FPC 0.5 H2.0 间距前插后翻 (载带包装规范)