

**MATERIALS:**

PLASTIC HOUSING: HIGH TEMP THERMOPLASTIC  
 FLAMMABILITY RATING UL 94V-0.  
 CONTACTS: PHOSPHOR BRONZE  
 PLATING: GOLD PLATING OVER NICKEL IN CONTACT.  
 TIN PLATING OVER NICKEL IN SOLDER AREA.  
 SOLDER PAD: BRASS WITH TIN PLATING OVER NICKEL.  
 SHIELDED: BRASS WITH NICKEL PLATED

**Electrical:**

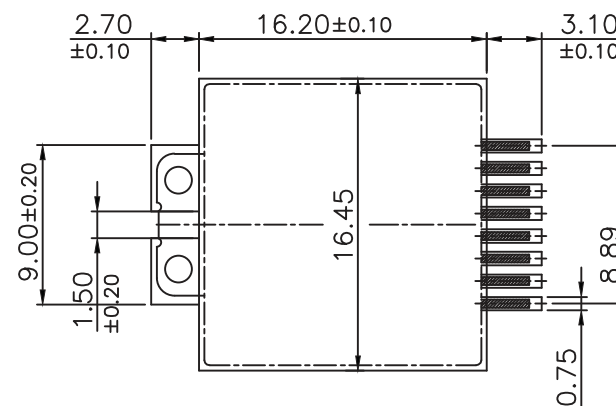
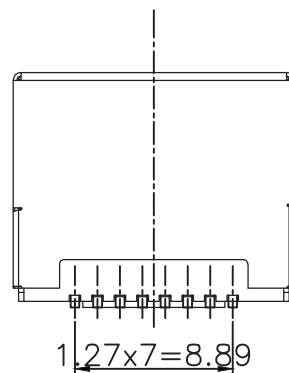
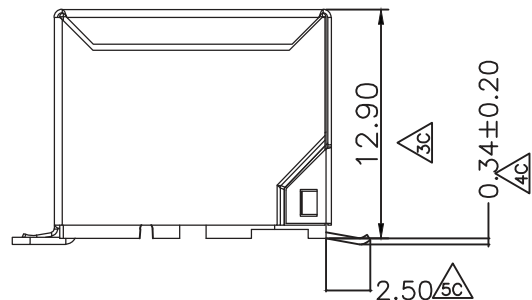
- 1.Voltage Rating:125 Vac Rms.
- 2.Current Rating:1.5 Amp.
- 3.Contact Resistance:40 Milliohms Max.
- 4.Insulation Resistance:1000 Megohms Min @500 Vdc.
- 5.Dielectric Strength:1000 Vac Rms 60Hz, 1Min.

**Mechanical:**

- 1.Operating:750 Cycles Min.

**Environmental:**

- 1.Storage:-40°C To +85°C.
  - 2.Operation:-20°C To +75°C.
  - 3.IR Reflow Soldering Temperature:255°C To 265°C(5~10 Seconds).
- Mates With Modular Plug Conforming To FCC Part 68, Subpart F.



PCB LAYOUT/TOP VIEW

**RoHS Compliant**

TOLERANCES ARE

**MORETHANALL**  
 PCB CONNECTORS  
 Cable ASSEMBLIES

煜倫股份有限公司

www.morethanall.com

DRAWING BY CY

CHECKED BY GENIUS

UNIT/mm

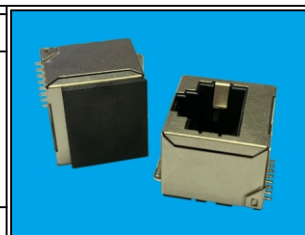
SCALE 1:1

DATE

SIZE A4

X. ± 0.50  
 .X ± 0.38  
 .XX ± 0.25  
 .XXX ± 0.10  
 ANG ± 3°

PJECTION



**ORDER INFORMATION**

MJVF12-KX06-0808-LF

SERIES | | | LEADFREE  
 | | | 8P8C  
 | | | .06u" GOLD  
 | | | NON EAR  
 | | | BLACK

DESCRIPTION: