

# MATERIAL

INSULATION: NYLON

MATERIAL: COPPER

TIN PLATING

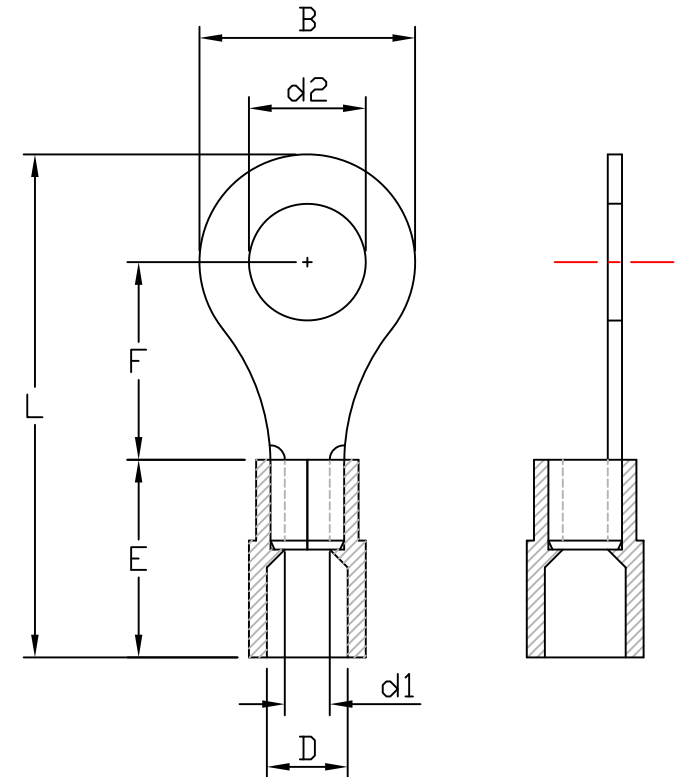
## MAXIMUM ELECTRIC CURRENT

A. W. G	22	20	18	16
MAX AMP	9	12	17	18

### NOTE:

1. MAXIMUM ELECTRICAL RATING: 105°C 600 VOLTS
2. WIRE RANGE: 22-16 AWG / 0.5-1.5 mm<sup>2</sup>  
INSULATED COLOR: RED
3. MATERIAL THICKNESS: t  
TOLERANCE: ±0.05

WIRE RANGE AWG/mm <sup>2</sup>	產品編號 ITEM NO.	d2 ±0.20	B ±0.20	F ±0.30	L ±1.00	E ±0.60	D ±0.50	d1 ±0.20	t
22-16 AWG 0.5-1.5 mm <sup>2</sup>	RT-N22-16	2.2	6.6	6.3	20.6	11.0	4.1	1.7	0.75
	RT-N32-16	3.2	5.5	4.0	17.7				
	RT-N37S-16	3.7	5.5	4.0	17.7				
	RT-N37M-16	3.7	6.6	6.3	20.6				
	RT-N37L-16	3.7	8.0	7.0	22.0				
	RT-N43M-16	4.3	7.0	7.0	21.5				
	RT-N43S-16	4.3	6.6	6.3	20.6				
	RT-N43L-16	4.3	8.0	7.0	22.0				
	RT-N53-16	5.3	8.0	7.0	22.0				
	RT-N65-16	6.5	11.6	11.1	27.8				
	RT-N84-16	8.4	11.6	11.1	27.8				
	RT-N105-16	10.5	13.6	13.9	31.7				
	RT-N130-16	13.0	19.2	16.0	36.6				



RoHS Compliant

TOLERANCES ARE

**MORETHANALL**  
PCB CONNECTORS  
Cable ASSEMBLIES

DRAWING BY CY

X.±

CHECKED BY GENIUS

.X±

UNIT / mm

SCALE 1:1

.XXX±

DATE

ANG±

SIZE A4

PPOJECTION



### ORDER INFORMATION

RT-Nxx-16-LF  
SERIES | LEADFREE  
16-22 AWG  
22:2.2 d2  
130:13 d2  
NYLON

煜倫股份有限公司

www.morethanall.com

DESCRIPTION: