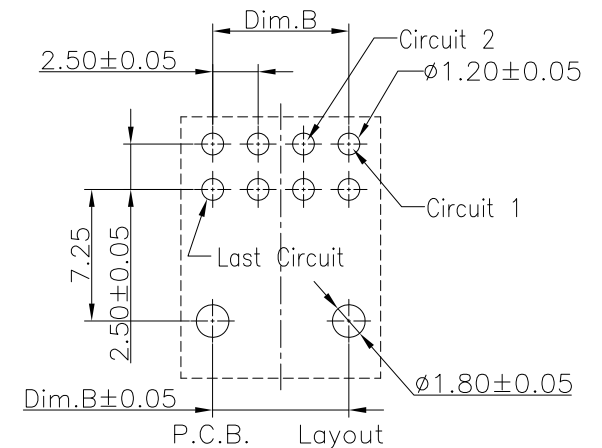
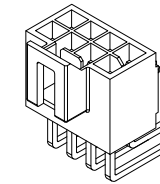
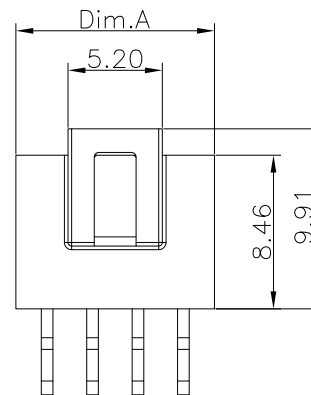
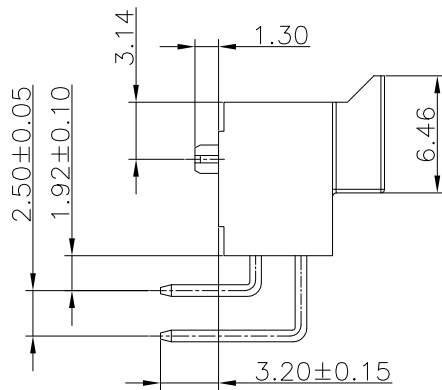


**Specifications:**

Current rating:6.5A AC,DC  
 Voltage rating:250V AC, DC  
 Contact resistance:10m ohm Max  
 Insulation resistance:1000M ohm Min  
 Withstanding voltage:AC 1500V AC/minute  
 Operating Temperature:-40°C ~ +105°C

**Materials:**

Insulator:High Temp Plastic (LCP UL94V-0)  
 Insulator Color:White&Black  
 Terminal:Brass  
 Finish:Tin Plated



Circuits	Dimension		Circuits	Dimension	
	A	B		A	B
4	5.94	2.50	12	15.94	12.50
6	8.44	5.00	14	18.44	15.00
8	10.94	7.50	16	20.94	17.50
10	13.44	10.00	18	23.44	20.00

**RoHS Compliant**

TOLERANCES ARE



煜倫股份有限公司

www.morethanall.com

DRAWING BY CY

CHECKED BY GENIUS

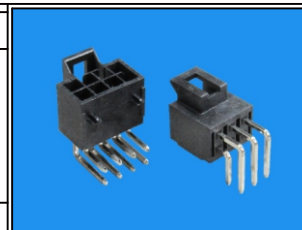
UNIT / mm SCALE 1 : 1

DATE

SIZE A4

PJECTION

X, ±  
 .X ± 0.20  
 .XX ± 0.15  
 .XXX ±  
 ANG ±



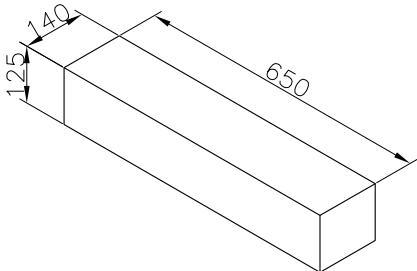
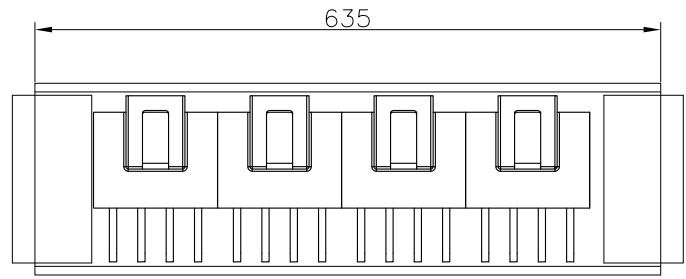
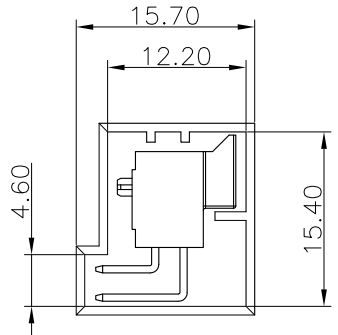
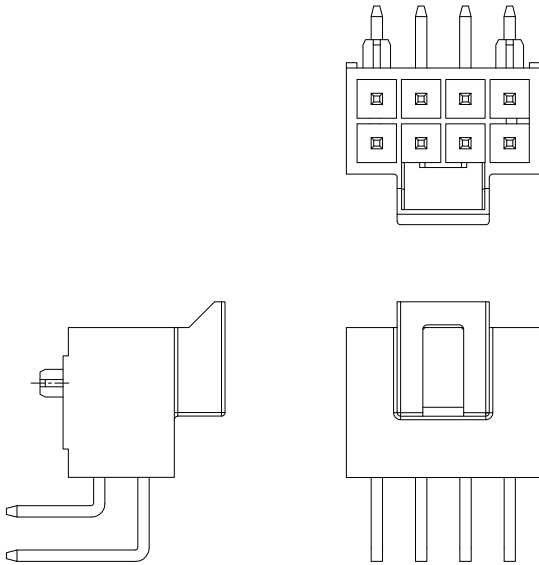
**ORDER INFORMATION**

NF-PRPxx-2Xxx-LF  
 SERIES LEADFREE  
 2X02:04WAY  
 2X09:18WAY  
 MALE BK:BLACK  
 DIP 90° WH:WHITE  
 POST

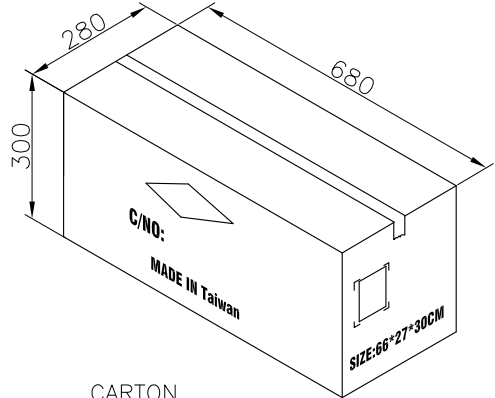
DESCRIPTION: 2.5mm Power Wafer Double Rows R/A Type

Note:

- 1,Dimension  
 Tube Size: L=635mm  
 Inner Carton Size:650(L)X140(W)X125(H) (mm)  
 Carton Size:680(L)X280(W)X300(H) (mm)
- 2,Quantity:  
 56 Tube/Inner Carton  
 4 Inner Carton/Carton



INNER CARTON



CARTON

Pin	PCS/Tube	Pcs/Inner Carton	Pcs/Carton
4	104	5824	23296
6	73	4088	16352
8	56	3136	12544
10	46	2576	10304
12	38	2128	8512
14	33	1848	7392
16	29	1624	6496
18	26	1456	5824

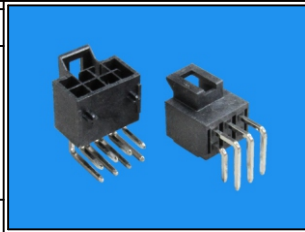
RoHS Compliant

TOLERANCES ARE



DRAWING BY CY  
 CHECKED BY GENIUS  
 UNIT / mm SCALE 1 : 1  
 DATE

X. ±  
 .X ± 0.20  
 .XX ± 0.15  
 .XXX ±  
 ANG ±



ORDER INFORMATION

NF-PRPxx-2Xxx-LF  
 SERIES | LEADFREE  
 2X02:04WAY  
 2X09:18WAY  
 MALE | BK:BLACK  
 DIP 90° | WH:WHITE  
 POST

煜倫股份有限公司

www.morethanall.com

SIZE A4 PPROJECTION

DESCRIPTION: 2.5mm Power Wafer Double Rows R/A Type