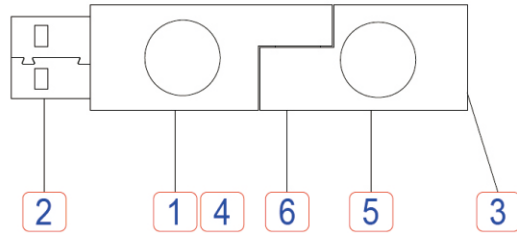
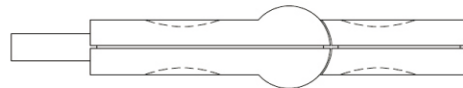
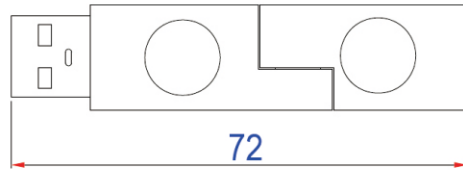
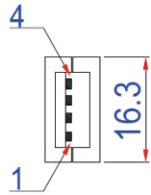
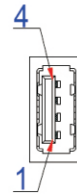


P1



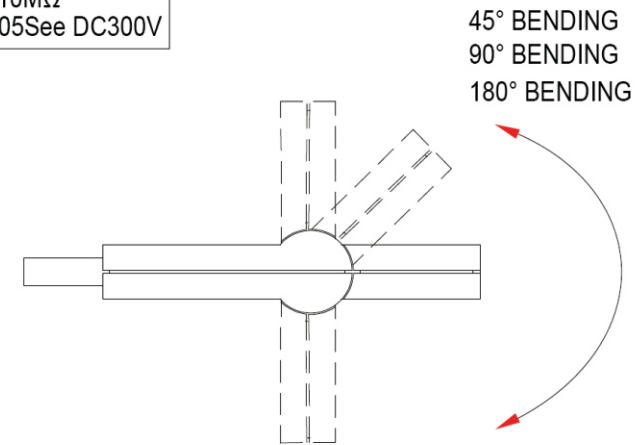
P2



CONNECTIONS		
P1	COLOUR	P2
1	RED	1
2	WHITE	2
3	GREEN	3
4	BLACK	4
SHELL		SHELL

Quality Requirement
 Continuity: 1Ω
 Insulation resistance: 10MΩ
 Withstand Voltage: 0.05See DC300V

Item	Name & Description	Q'TY
1	Cable 31#(9/0.08TA)*4C+ES OD:2.25±0.1mm BLACK(K001)JACKET	1 PCS
2	USB A TYPE MALE WHITE INSULATION TERMINAL PLATED GOLD FLASH SHELL PLATED NI SOLDER TYPE	1 PCS
3	USB A TYPE FEMALE WHITE INSULATION TERMINAL PLATED GOLD FLASH SHELL PLATED NI SOLDER TYPE	1 PCS
4	USB A TYPE FEMALE WHITE ABS TOP AND BOTTOM PLASTIC ASSEMBLY	1 SET
5	USB A TYPE MALE WHITE ABS TOP AND BOTTOM PLASTIC ASSEMBLY	1 SET
6	AN ELASTIC BAND WITH TRANSPARENT SILICONE RUBBER COMPOUND GEL	1 SET



ROTATE ANGLE STATIONS

RoHS Compliant

TOLERANCES ARE

MORETHANALL
 PCB CONNECTORS
 Cable ASSEMBLIES

DRAWING BY CY

CHECKED BY GENIUS

UNIT / mm

SCALE 1 : 1

DATE

SIZE A4

PPOJECTION

X.±
 .X±
 .XX±
 .XXX±
 ANG±



ORDER INFORMATION

UBX2-EMRTxx-4A4A-LF

SERIES

LEADFREE

4 PIN TO 4 PIN A TYPE

MALE TO FEMALE
 MOLDING

BL:BLUE
 BK:BLACK
 WH:WHITE
 ROTARY

煜倫股份有限公司

www.morethanall.com

DESCRIPTION: