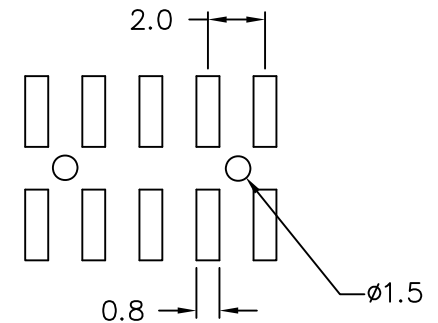


Recommended P.C.Board
Layout



Specifications

Current Rating: 3Amp
 Insulation Resistance: 1000MΩ Min.
 Dielectric Withstanding: 600VAC
 Contact Resistance: 20mΩ Max.
 Operating Temperature: -40°C to +105°C

Materials

Contact Material: Copper alloy Gold Flash
 Insulator Material: Polyester, UL94V-0
 NYLON-6T

RoHS Compliant

TOLERANCES ARE

MORETHANALL
 PCB CONNECTORS
 Cable ASSEMBLIES

煜倫股份有限公司

www.morethanall.com

DRAWING BY CY

CHECKED BY GENIUS

UNIT / mm

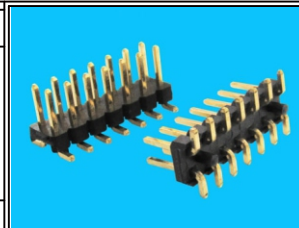
SCALE 1 : 1

DATE

SIZE A4

X, ±
 .X ± 0.38
 .XX ± 0.25
 .XXX ± 0.13
 ANG ±

PPOJECTION



ORDER INFORMATION

M-V22P-2Xxx-LF
 SERIES | POST | LEADFREE
 180°SMT | HIGH 2.2mm | 2X03:06WAY | 2X40:80WAY

DESCRIPTION: 2.0 PIN HEADER DUAL ROW SMT TYPE