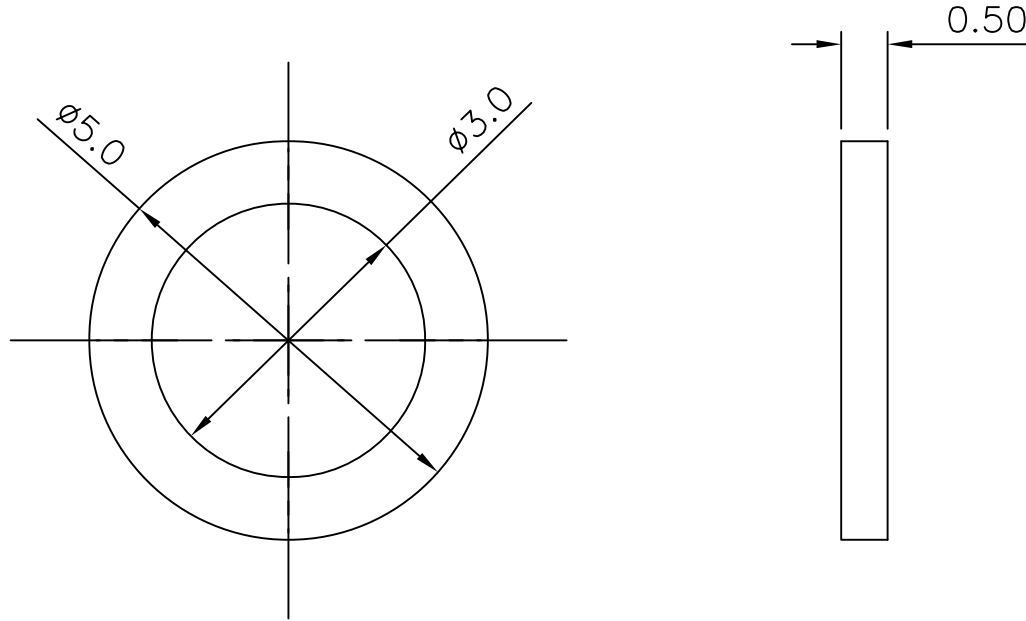


SPECIFICATION

Material: Steel, Nickel Plated



Flat Washer

RoHS Compliant

TOLERANCES ARE

MORETHANALL
PCB CONNECTORS
Cable ASSEMBLIES

DRAWING BY CY

CHECKED BY GENIUS

UNIT / mm

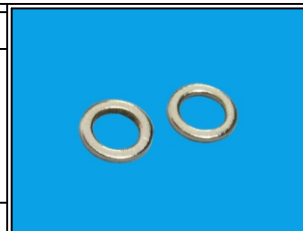
SCALE 1 : 1

DATE

SIZE A4

PPOJECTION

X, \pm
.X \pm 0.38
.XX \pm 0.25
.XXX \pm
ANG \pm



ORDER INFORMATION

FW-5.0-LF
SERIES | LEADFREE
5.0Ø

煜倫股份有限公司

www.morethanall.com

DESCRIPTION: