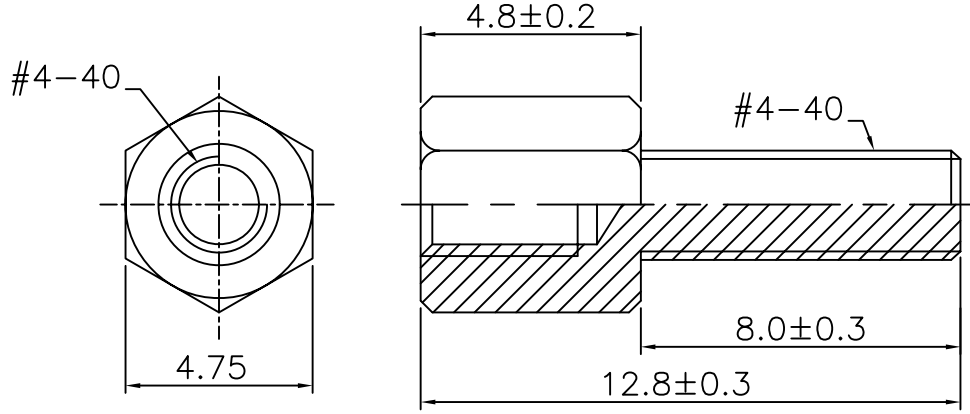
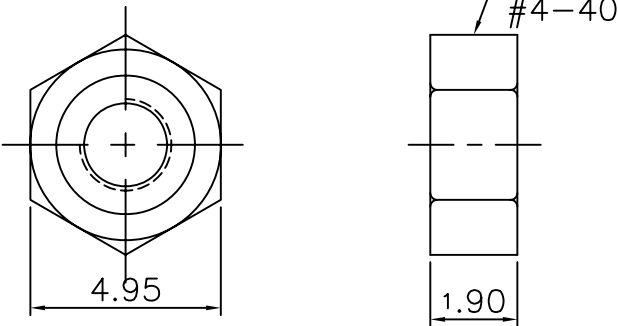


SPECIFICATION

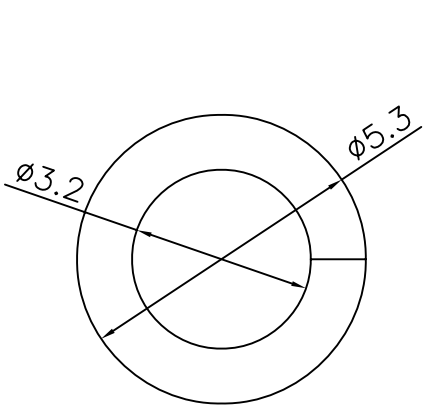
Screw: Brass, Nickel Plated
 Nut: Steel, Nickel Plated
 Washer: Steel, Nickel Plated
 Q'ty: Screw x 2, Flat Washer x 2, Split Washer x 2 & Nut x 2
 TOTAL 8PCS/Bag



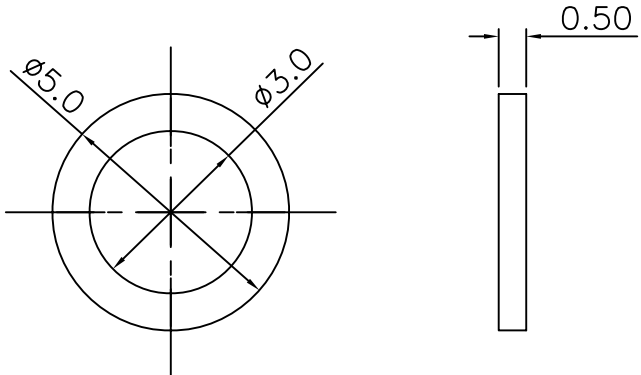
Screw x 2



Nut x 2



Split Washer x 2



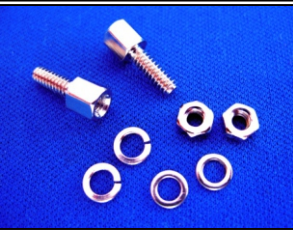
Flat Washer x 2

RoHS Compliant

TOLERANCES ARE

MORETHANALL
 PCB CONNECTORS
 Cable ASSEMBLIES
煜倫股份有限公司
 www.morethanall.com

DRAWING BY CY		X, ± .X ± .XX ± 0.25 .XXX ± ANG ±
CHECKED BY GENIUS		
UNIT / mm	SCALE 1 : 1	
DATE		
SIZE A4	PPOJECTION	



ORDER INFORMATION

HW023-1-LF
 SERIES | LEADFREE
 SINGLE PACKING

DESCRIPTION: