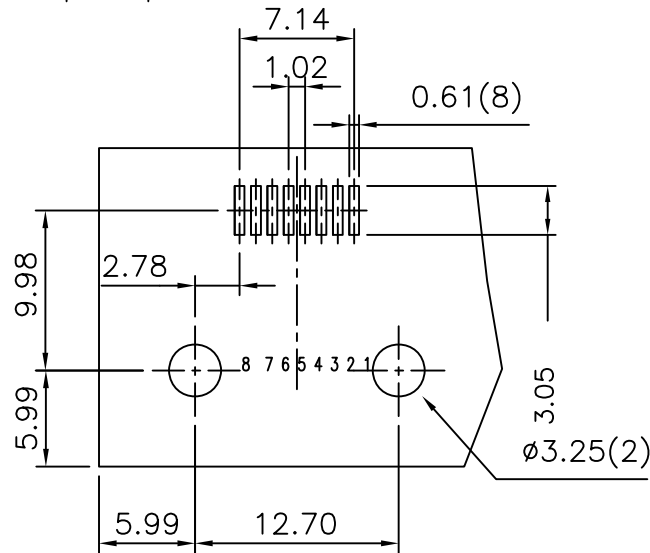
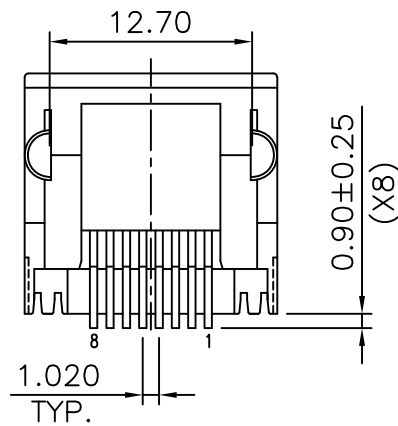


**MATERIAL:**

- HOUSING—DSM STANYL TE250F6 (NYLON-46)  
HEAT DEFLECTION TEMP.290°  
BLACK COLOR, UL94V-0
- CONTACTS—0.35mm THICK PHOS-BRONZE PLATED  
WITH HARD GOLD AND TIN/LEAD IN  
SOLDER AREA.

CAVITY CONFIRMS TO FCC RULES AND REGULATIONS  
PART 68,SUBPART F.



**PCB LAYOUT**

Ref.

**RoHS Compliant**

TOLERANCES ARE

**MORETHANALL**  
PCB CONNECTORS  
Cable ASSEMBLIES

DRAWING BY CY

X.±

CHECKED BY GENIUS

.X±

UNIT / mm

SCALE 1 : 1

.XX±

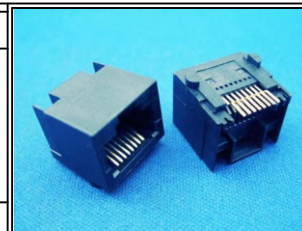
DATE

.XXX±

ANG±

SIZE A4

PPOJECTION



**ORDER INFORMATION**

**MJW12U-KX06P-0808-LF**

SERIES

8P8C  
POST  
06u" GOLD  
NON EAR  
BLACK

LEADFREE

**煜倫股份有限公司**

[www.morethanall.com](http://www.morethanall.com)

DESCRIPTION: MODULAR JACK, RJ45, WITHOUT LED'S SMT TYPE, SIDE ENTRY