

Technical Data:

Material:

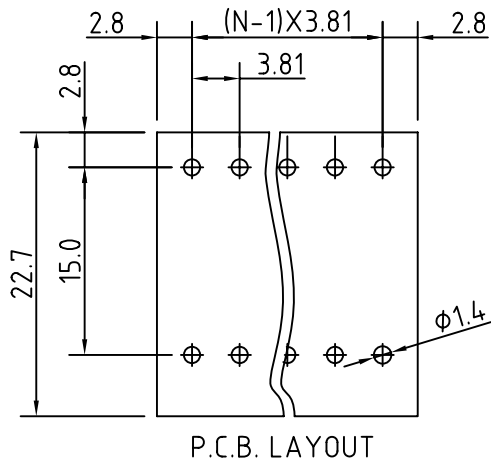
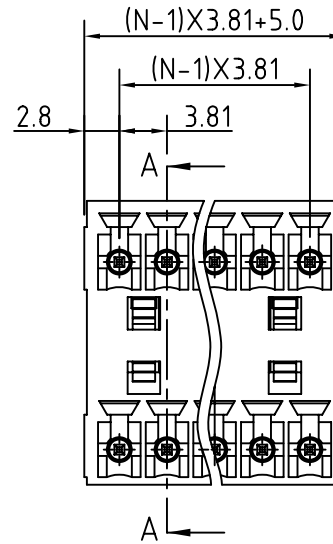
- Solder Pin: Brass with Tin plated
- Insulator body(housing): Polyamide(Glass filled)(UL94V-0)

Electrical

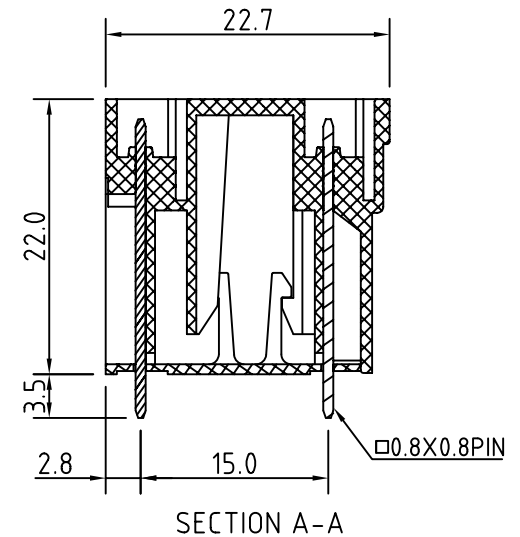
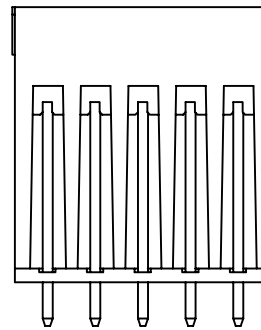
- Voltage rating: 300VAC
- Current rating: 8A
- Insulation resistance: 500MΩ at DC 500V
- Withstanding Voltage: AC 1500V(1min)

Mechanical:

- Using temperature Range: -30°C to +105°C
- Soldering temperature: +245°, 5seconds Max.



N=Number of contacts



RoHS Compliant

TOLERANCES ARE

MORETHANALL
PCB CONNECTORS
Cable ASSEMBLIES

DRAWING BY CY

CHECKED BY GENIUS

UNIT / mm

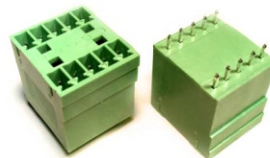
SCALE 1 : 1

DATE

SIZE A4

PJECTION

X. ±
.X ±
.XX ±
.XXX ±
ANG ±



ORDER INFORMATION

TBH038B1-PDC06-xx-LF

SERIES

MALE

DIP 180°

06" CAGE

LEADFREE

04:04PIN PER ROW

24:24PIN PER ROW

煜倫股份有限公司

www.morethanall.com

DESCRIPTION: