

DimA=N×3.81
 DimB=(N-1)×3.81
 N=Number of contacts

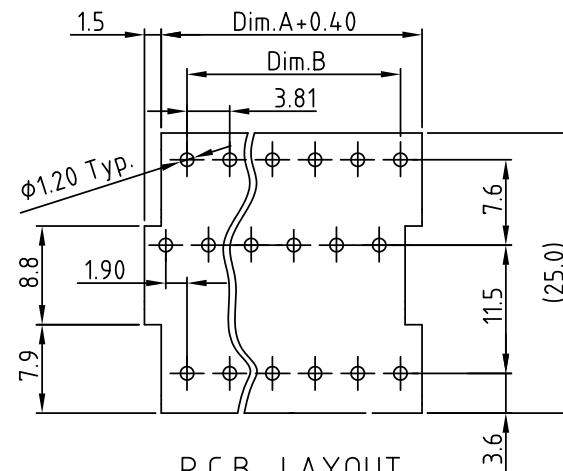
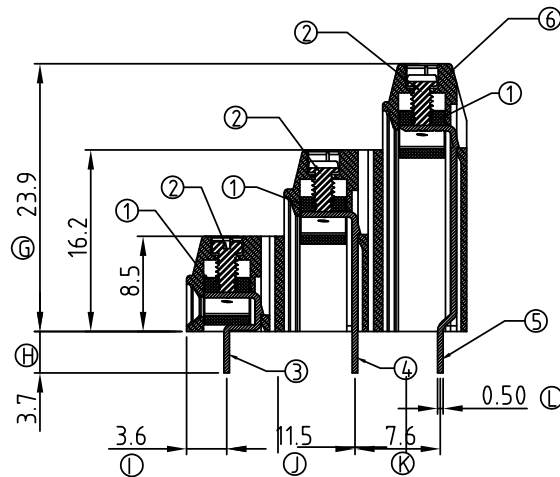
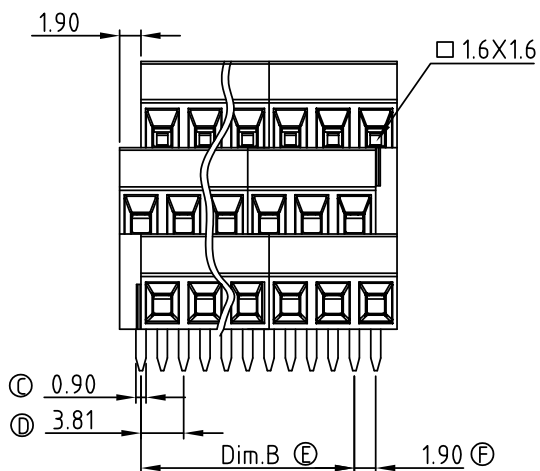
POLES	TOL
3×2p-3×6p	±0.15
3×7p-3×12p	±0.25
3×13p-3×18p	±0.35
3×19p-3×24p	±0.40

Material

- Item 1 Clamp: Brass Ni plated (WD086)
- Item 2 Terminal screw: Steel Zinc plating “-” slot type (YA 3.5)
- Item 3 Wire guard solder pin: Brass Tin plated (Y0 3.5)
- Item 4 Wire guard solder pin: Brass Tin plated (YP 3.5)
- Item 5 Wire guard solder pin: Brass Tin plated (YA 3.5)
- Item 6 Terminal housing: Thermoplastic (UL94V-0)

Electrical

- Voltage rating: 300VAC
- Current rating: 10A
- Wire range:
- Solid wire(AWG): 16-24
- Stranded wire(AWG): 16-24
- Torque(Lb-In): 1.7
- Screw: M2
- Wire strip length: 5-6mm
- Withstanding Voltage: 1.3KV
- Operating temperature: -40°C to +115°C
- Soldering temperature: 250°C±10°C/5 Sec



P.C.B. LAYOUT

RoHS Compliant

TOLERANCES ARE

MORETHANALL
 PCB CONNECTORS
 Cable ASSEMBLIES

DRAWING BY CY
 CHECKED BY GENIUS
 UNIT / mm SCALE 1 : 1
 DATE

X.±
 .X±
 .XX±
 .XXX±
 ANG±

煜倫股份有限公司

www.morethanall.com

SIZE A4

P PROJECTION



ORDER INFORMATION

TBH038C1-D08R-xx-LF

SERIES

LEADFREE

06:06PIN PER ROW

24:24PIN PER ROW

DIP 180°

R TYPE FOOT

HIGH 8.5mm

DESCRIPTION: