

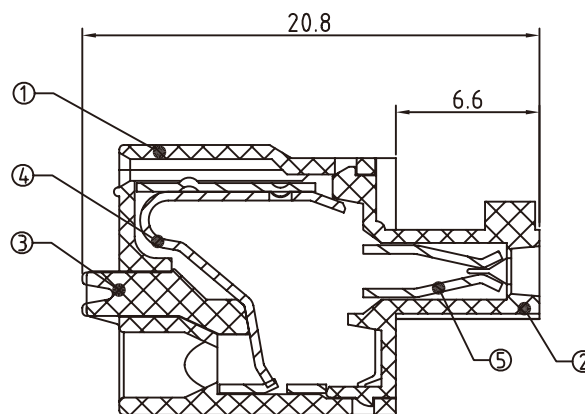
N=Number of contacts

Material

- Item 1 Insulating body Thermoplastic (UL94V-0)
- Item 2 Insulating body Thermoplastic (UL94V-0)
- Item 3 Insulating lever Thermoplastic (UL94V-0)
- Item 4 Wire guard Stainless Steel
- Item 5 Contacts PIN PhBz (CuSn) Tin plated

Electrical

- Voltage rating: 125V
- Current rating: 4A
- Solid wire(AWG): 20-28
- Stranded wire(AWG): 20-28
- Wire strip length: 5-6mm
- Withstanding Voltage: 1.25KV
- Operating temperature: -30° C to +105° C
- Safety Approval:



RoHS Compliant

TOLERANCES ARE



煜倫股份有限公司

www.morethanall.com

DRAWING BY CY

CHECKED BY GENIUS

UNIT / mm SCALE 1 : 1

DATE

SIZE A4

X, ±

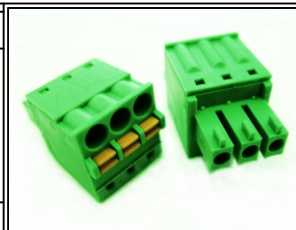
.X ±

.XX ±

.XXX ±

ANG ±

PJECTION



ORDER INFORMATION

TBX035-SVCC-xx-LF

SERIES | | | | LEADFREE
 | | | | 02-24WAY
 | | | | C TYPE
 | | | | CAGE
 | | | | SCREW 180°
 | | | | FEMALE

DESCRIPTION: