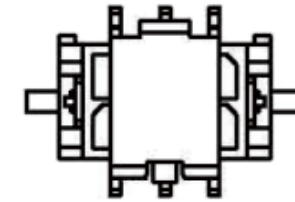
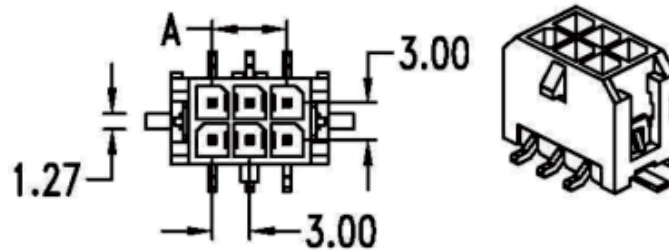


## Features:

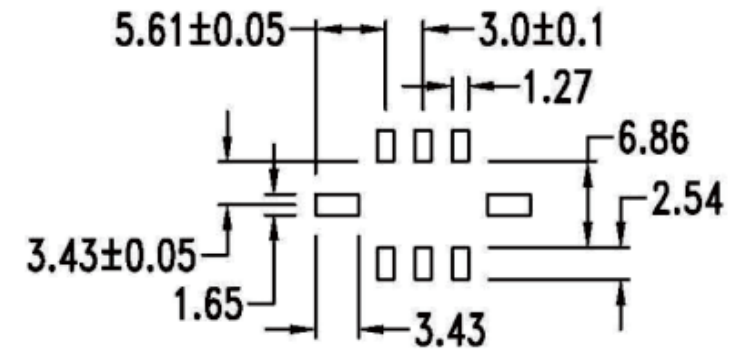
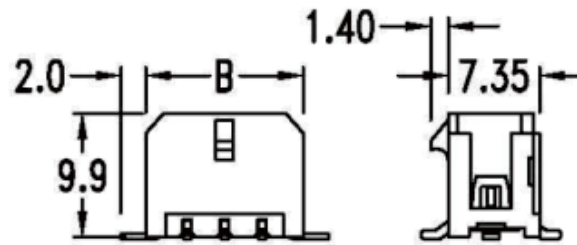
- 2 ~ 24 circuits available
- Material: LCP
- Tin-plated brass pin

## Specification:

- Current rating: 5A AC, DC
- Voltage rating: 250V AC, DC
- Contact resistance: 10mΩ Max.
- Dielectric withstanding voltage: 1500V AC/minute
- Ambient temperature range: -25°C ~ 85°C



Shown with disposable cap



PCB Layout: Component side

## Dimensional Information

Circuits	Dim. A	Dim. B	Circuits	Dim. A	Dim. B	Circuits	Dim. A	Dim. B
2		6.65	6	6.0	12.65	10	12.0	18.65
4	3.0	9.65	8	9.0	15.65	12	15.0	21.65

Circuits	Dim. A	Dim. B	Circuits	Dim. A	Dim. B	Circuits	Dim. A	Dim. B
14	18.0	24.65	18	24.0	30.65	22	30.0	36.65
16	21.0	27.65	20	27.0	33.65	24	33.0	39.65

RoHS Compliant

TOLERANCES ARE

**MORETHANALL**  
PCB CONNECTORS  
Cable ASSEMBLIES

煜倫股份有限公司

www.morethanall.com

DRAWING BY CY

CHECKED BY GENIUS

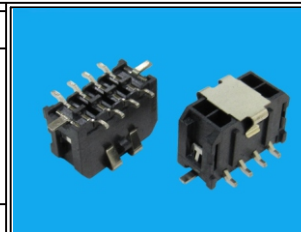
UNIT/mm SCALE 1:1

DATE

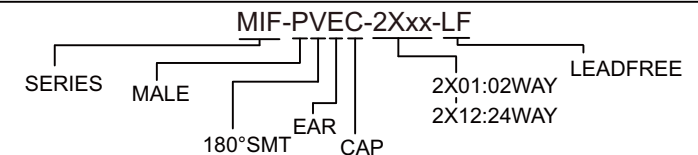
SIZE A4

X, ±  
.X ±  
.XX ±  
.XXX ±  
ANG ±

P PROJECTION



ORDER INFORMATION



DESCRIPTION: