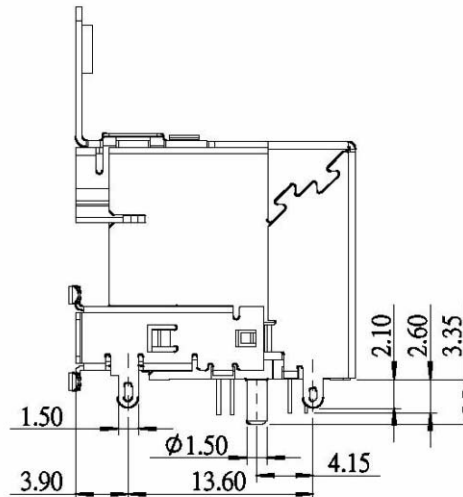
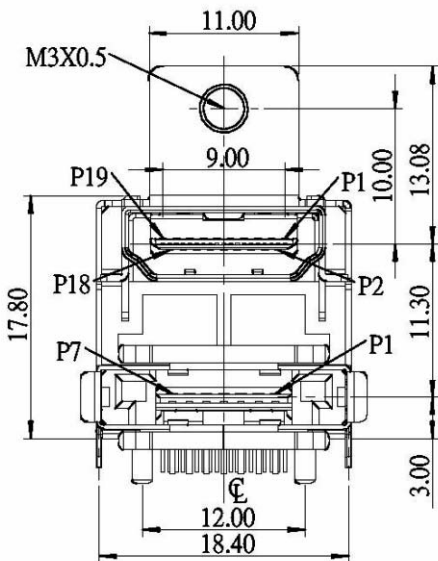
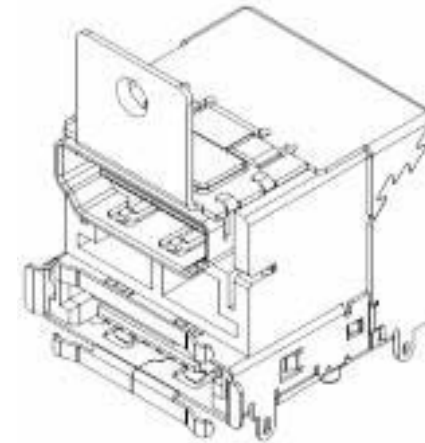


RECOMMEND PCB Layout



NOTE:

1. MATERIALS: HOUSING: THERMOPLASTIC, COLOR: BLACK, CONTACTS: COPPER ALLOY, SHELL: COPPER ALLOY.
2. FINISH: CONTACTS: GOLD PLATE ON MATING SURFACE, TIN ON SOLDER TAIL, ALL OVER NICKEL UNDER PLATE. SHELL: GOLD PLATE ON THE POST, ALL OVER NICKEL UNDER PLATE.
3. INSPECTION SYMBOL:  
 ● : MANUFACTURER INSPECTION  
 ◆ : Q.C INSPECTION

RoHS Compliant

TOLERANCES ARE

**MORETHANALL**  
PCB CONNECTORS  
Cable ASSEMBLIES

DRAWING BY CY

CHECKED BY GENIUS

UNIT / mm

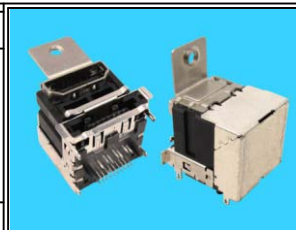
SCALE 1 : 1

DATE

SIZE A4

P PROJECTION

X, ±  
X, ±  
.XX ±  
.XXX ±  
ANG ±



ORDER INFORMATION

HDMI SATA-ARN-1907-LF

SERIES

LEADFREE

19 TO 07 WAY

NUT

DIP 90°

FEMALE TO MALE

煜倫股份有限公司

www.morethanall.com

DESCRIPTION: