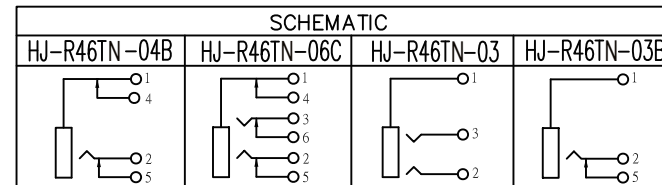


T:1.6 Dimensions of PC board holes

Tolerance : ±0.1(Printed-top view)

UNLESS OTHERWISE SPECIFIED, TOLERANCE ON DECIMAL: ±0.3



LTR	PART NAME	QTY	MATERIAL	REMARK
7	CONTACT FOOT	1	BRASS	MB:Cu Cu/Sn PLATED
6	SPRING	1	PHOSPHOR BRONZE	MB:Cu Cu/Sn PLATED
5	CONTACT FOOT	1	BRASS	MB:Cu Cu/Sn PLATED
4	SPRING	1	PHOSPHOR BRONZE	MB:Cu Cu/Sn PLATED
3	CONTACT FOOT	1	BRASS	MB:Cu Cu/Sn PLATED
2	SPRING	1	PHOSPHOR BRONZE	MB:Cu Cu/Sn PLATED
1	HOUSING	1	PC	

RoHS Compliant

TOLERANCES ARE

MORETHANALL
PCB CONNECTORS
Cable ASSEMBLIES

煜倫股份有限公司

www.morethanall.com

DRAWING BY CY

CHECKED BY GENIUS

UNIT/mm

SCALE 1:1

DATE

SIZE A4

PJECTION

X. ±

.X ±

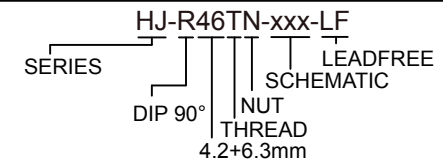
.XX ±

.XXX ±

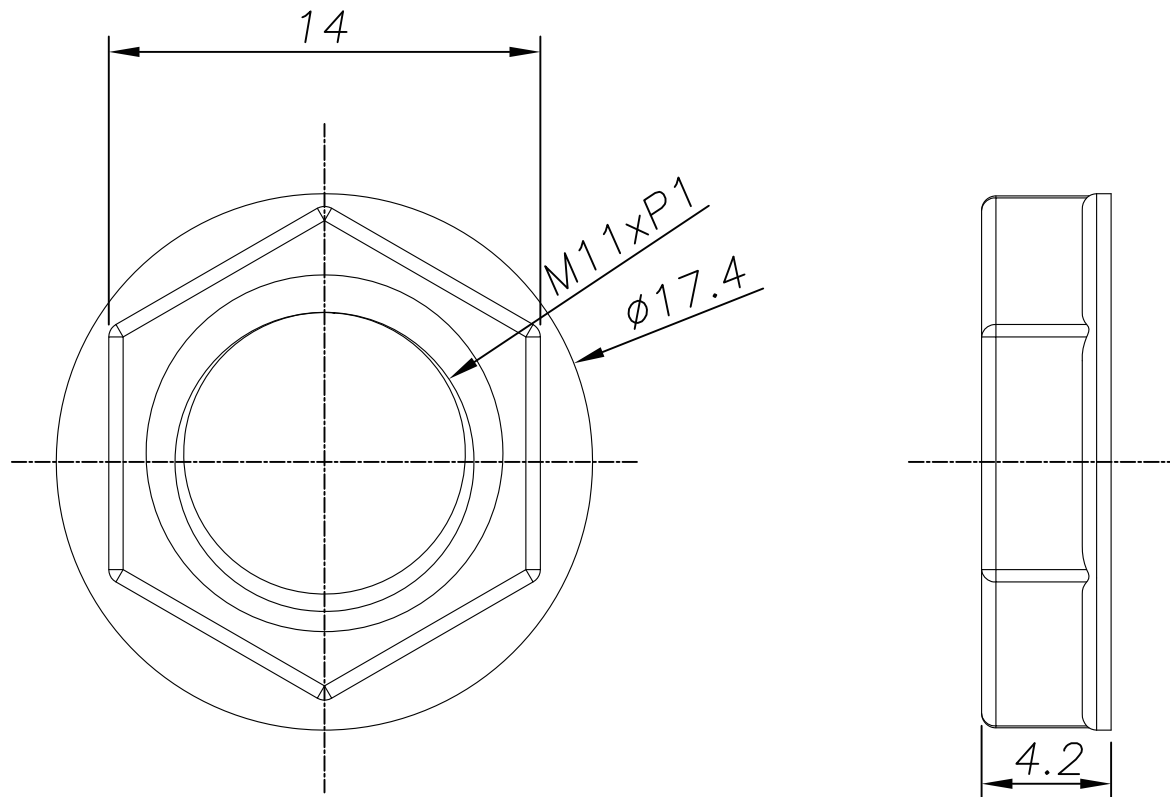
ANG ±



ORDER INFORMATION



DESCRIPTION: PHONE JACK



UNLESS OTHERWISE SPECIFIED, TOLERANCE ON DECIMAL: ± 0.3

1	SLEEVE NUT	1	PBT 4815	UL-94V0(BLACK)
LTR	PART NAME	QTY	MATERIAL	REMARK

RoHS Compliant

TOLERANCES ARE

MORETHANALL
PCB CONNECTORS
Cable ASSEMBLIES

煜倫股份有限公司

www.morethanall.com

DRAWING BY CY

CHECKED BY GENIUS

UNIT/mm SCALE 1:1

DATE

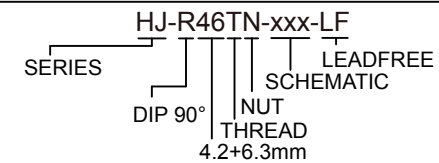
SIZE A4

X. \pm
.X \pm
.XX \pm
.XXX \pm
ANG \pm

P PROJECTION



ORDER INFORMATION



DESCRIPTION: PHONE JACK