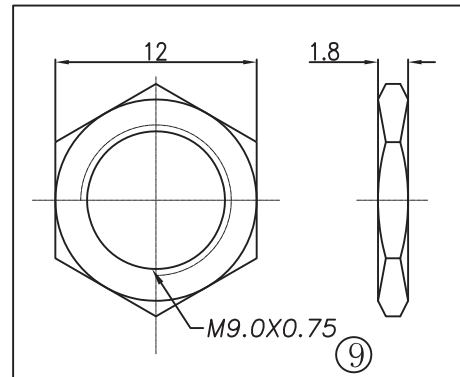
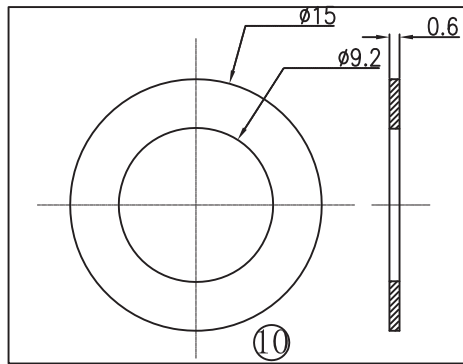
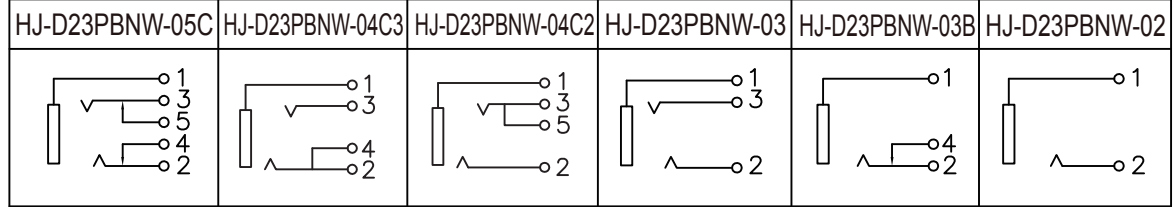


T:1.6 Dimensions of PC board holes
Tolerance : ±0.1(Printed-top view)



10	WASHER	1	IRON	MB:Cu Ni PLATED
9	NUT	1	C2680	MB:Cu Ni PLATED
8	BUSHING-2	1	C2680	MB:Cu Ni PLATED
7	SHUNT TERMINAL	1	C2680	MB:Ni Ag PLATED
6	SHUNT TERMINAL	1	C2680	MB:Ni Ag PLATED
5	RING SPRING	1	C5191	MB:Ni Ag PLATED
4	TIP SPRING	1	C5191	MB:Ni Ag PLATED
3	EARTH TERMINAL	1	C2680	MB:Ni Ag PLATED
2	BUSHING-1	1	ABS	UL-94HB(BLACK)
1	HOUSING	1	ABS	UL-94HB(BLACK)
LTR	PART NAME	QTY	MATERIAL	REMARK

SCHEMATIC



UNLESS OTHERWISE SPECIFIED, TOLERANCE ON DECIMAL: ±0.3

RoHS Compliant

TOLERANCES ARE

MORETHANALL
PCB CONNECTORS
Cable ASSEMBLIES

煜倫股份有限公司

www.morethanall.com

DRAWING BY CY

CHECKED BY GENIUS

UNIT/ mm

SCALE 1:1

DATE

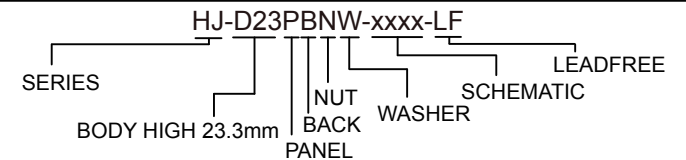
SIZE A4

PJECTION

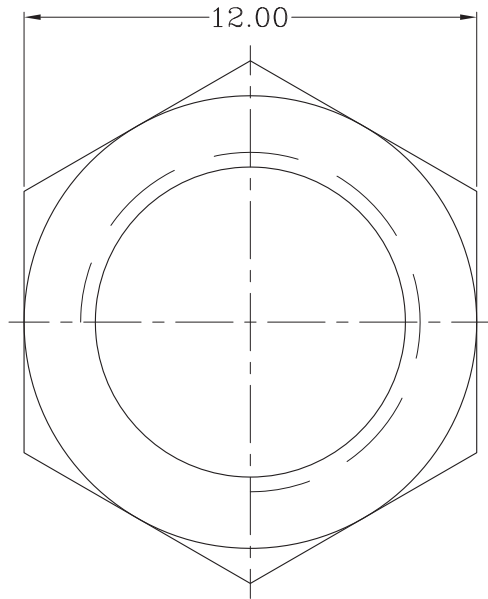
X. ±
.X ±
.XX ±
.XXX ±
ANG ±



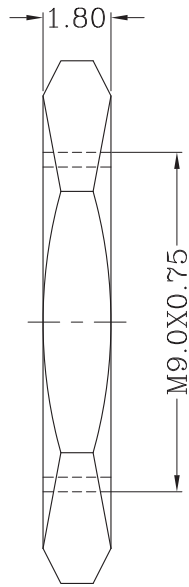
ORDER INFORMATION



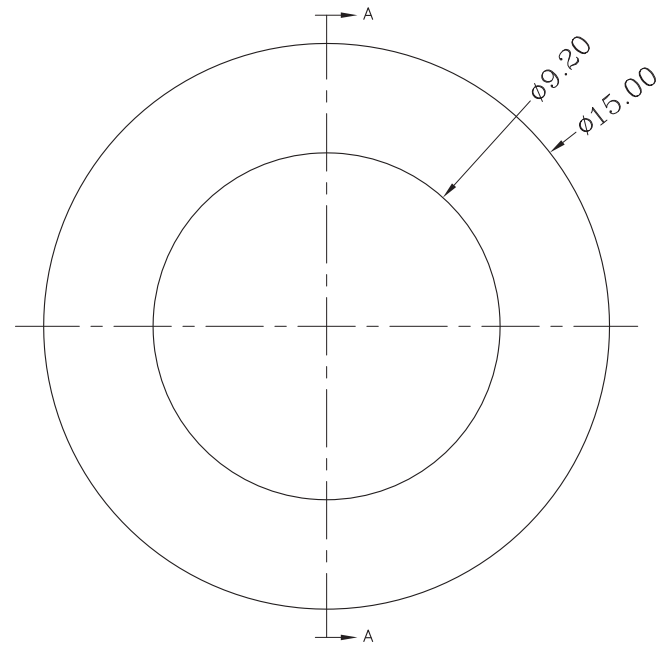
DESCRIPTION: PHONE JACK



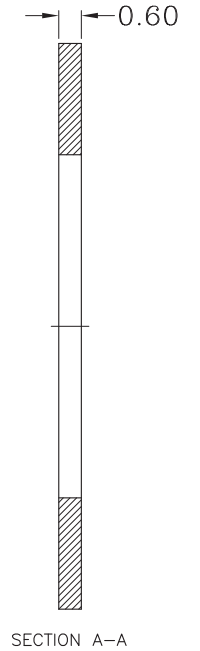
UNLESS OTHERWISE SPECIFIED, TOLERANCE ON DECIMAL: ±0.2



NUT



UNLESS OTHERWISE SPECIFIED, TOLERANCE ON DECIMAL: ±0.2



Washer

MORETHANALL
PCB CONNECTORS
Cable ASSEMBLIES

煜倫股份有限公司

www.morethanall.com

RoHS Compliant

DRAWING BY CY
CHECKED BY GENIUS
UNIT / mm SCALE 1:1
DATE
SIZE A4

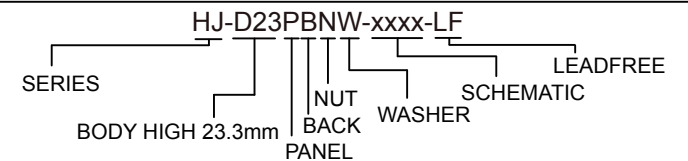
TOLERANCES ARE

X. ±
.X ±
.XX ±
.XXX ±
ANG ±

P PROJECTION



ORDER INFORMATION



DESCRIPTION: