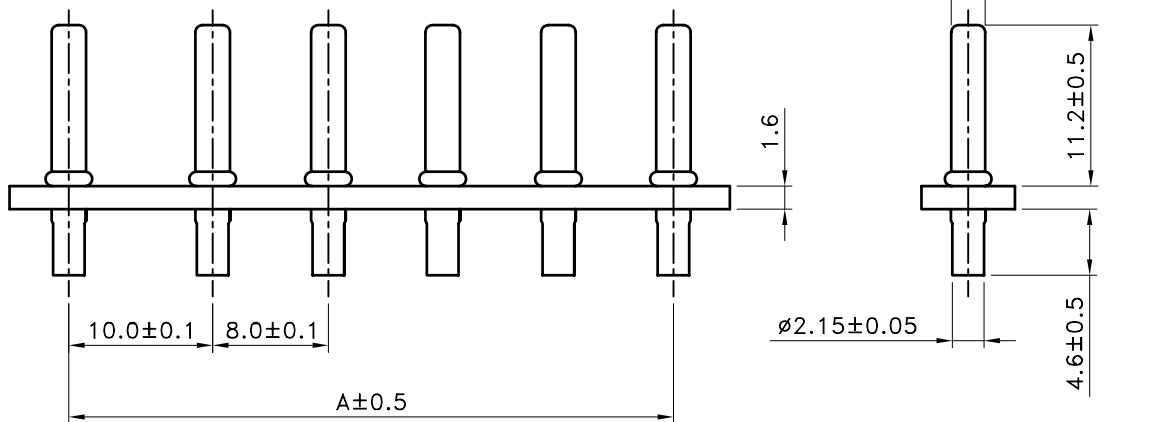
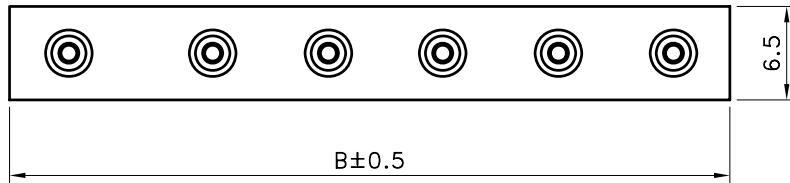
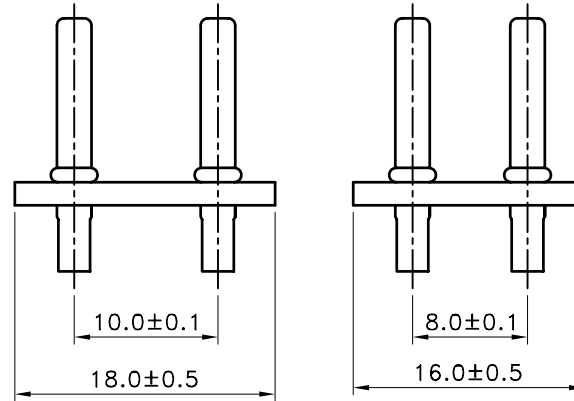


Recommended PCB Layout



■ SPECIFICATIONS

- Voltage Rating : 125V AC/DC
- Current Rating : 3A AC/DC
- Withstanding Voltage : 1,500V AC/minute
- Insulation Resistance : 1,000MΩ min.
- Temperature Range : - 25°C to + 85°C
- Contact Resistance : 20mΩ max.

■ WAFER

- Poles : 1 - 6
- Material : Contact : Brass, Tin plated
Base : Phenolic Bakelite UL94V-0
- Q' ty : 1,000 pcs./Bag

Poles	Part No.	Dimensions(mm)	
		A	B
1	LV-B-01	---	6.50
2	LV-B-02	See the Drawing	
3	LV-B-03	10.0+(8.0x1)	26.00
4	LV-B-04	10.0+(8.0x2)	34.00
5	LV-B-05	10.0+(8.0x3)	42.00
6	LV-B-06	10.0+(8.0x4)	50.00

RoHS Compliant

TOLERANCES ARE

MORETHANALL
PCB CONNECTORS
Cable ASSEMBLIES

DRAWING BY CY

CHECKED BY GENIUS

UNIT / mm

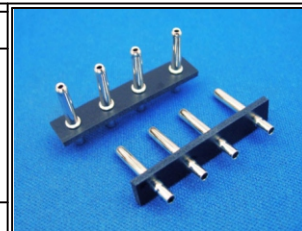
SCALE 1 : 1

DATE

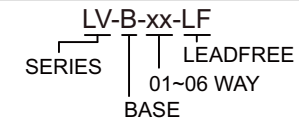
SIZE A4

P PROJECTION

X, ±
.X ±
.XX ±
.XXX ±
ANG ±



ORDER INFORMATION



煜倫股份有限公司

www.morethanall.com

DESCRIPTION: