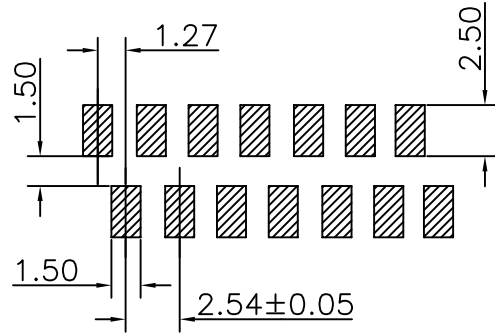
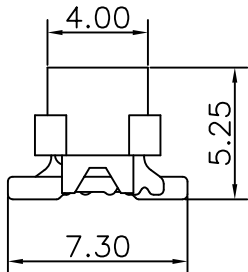
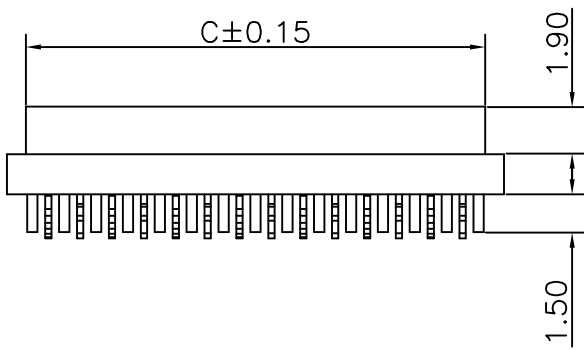
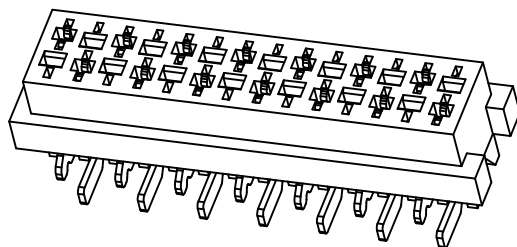


Pin No.	A	B	C
4	7.10	3.81	5.60
6	9.64	6.35	8.14
8	12.18	8.89	10.68
10	14.72	11.43	13.22
12	17.26	13.97	15.76
14	19.80	16.51	18.30
16	22.34	19.05	20.84
18	24.88	21.59	23.38
20	27.42	24.13	25.92

Specifications:

Current rating:1.0A AC,DC  
 Voltage rating:250V AC, DC  
 Contact resistance:20m ohm Max  
 Insulation resistance:1000M ohm Min  
 Withstanding voltage:AC 500V AC/minute  
 Operating Temperature:-40°C ~ +105°C  
 Materials:  
 Insulator:High Temp Plastic UL94V-0  
 Contact material:Phosphor Bronze  
 Finish:Tin Plated



RoHS Compliant

TOLERANCES ARE



DRAWING BY CY

CHECKED BY GENIUS

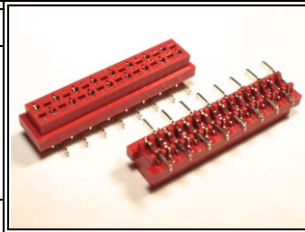
UNIT / mm SCALE 1 : 1

DATE

SIZE A4

X, ±  
 .X ± 0.20  
 .XX ± 0.15  
 .XXX ±  
 ANG ±

PJECTION



ORDER INFORMATION

MIM-SV-xx-LF  
 SERIES | LEADFREE  
 | 04-20WAY  
 | 180°SMT  
 | FEMALE

DESCRIPTION: 2.54mm Micro-Match Miniature SMD Type

煜倫股份有限公司

www.morethanall.com

SPECIFICATIONS:

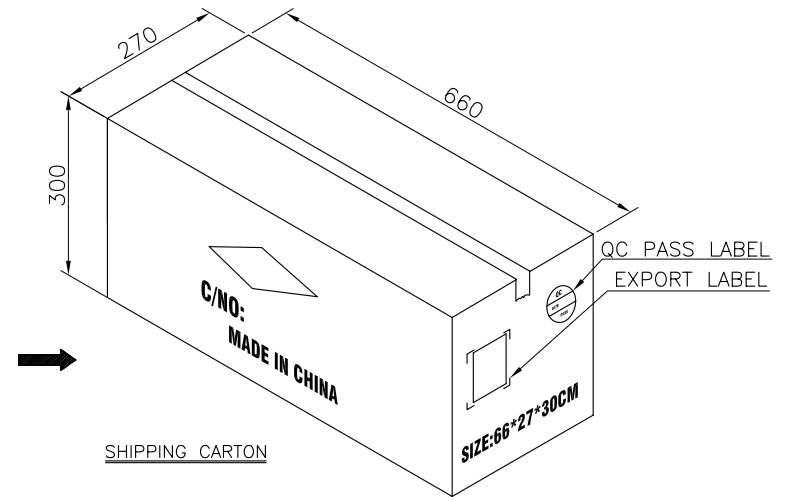
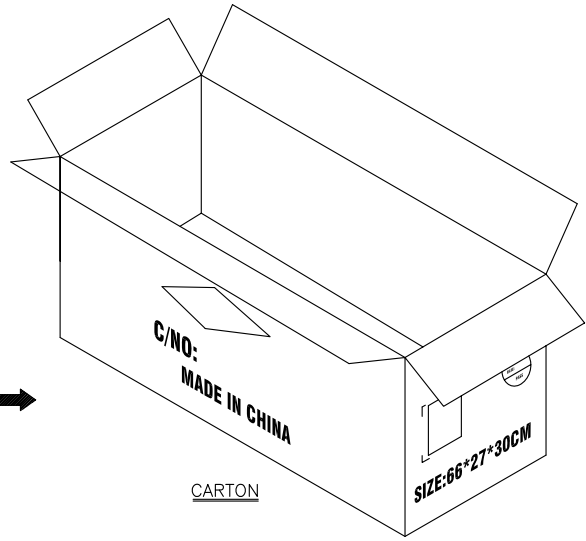
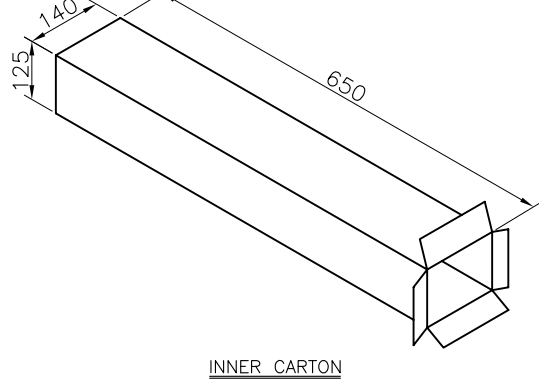
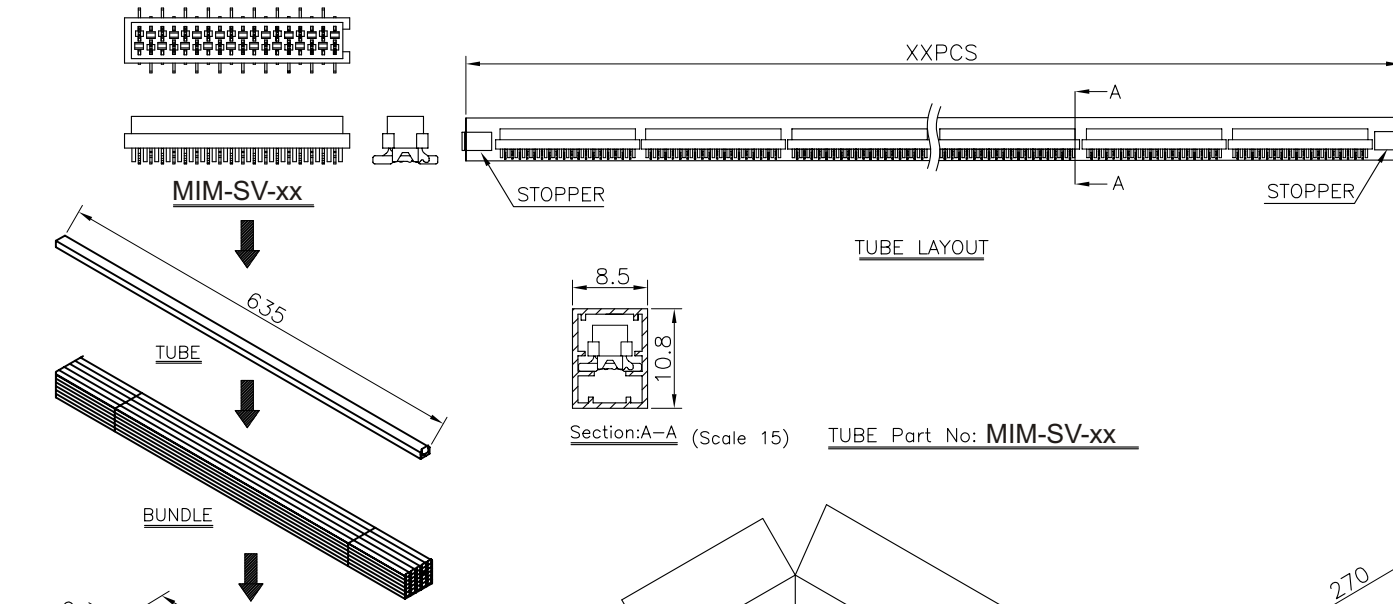
1.DIMENSION

TUBE SIZE:635(L)X8.5(W)X10.8(H) (MM)  
 INNER CARTON SIZE:650(L)X140(W)X125(H) (MM)  
 CARTON SIZE:660(L)X270(W)X300(H) (MM)

2.QUANTITY:

XX PCS/TUBE  
 150 TUBE/INNER CARTON  
 4 INNER CARTON/CARTON  
 Q'TY:XXXPCS

CIRCUITS	PCS/管	管/內箱	PCS/內箱	QTY
04	86	150	12900	51600
06	64	150	9600	38400
08	50	150	7500	30000
10	42	150	6300	25200
12	35	150	5250	21000
14	30	150	4500	18000
16	27	150	4050	16200
18	24	150	3600	14400
20	22	150	3300	13200
22	20	150	3000	12000
24	18	150	2700	10800
26	17	150	2550	10200



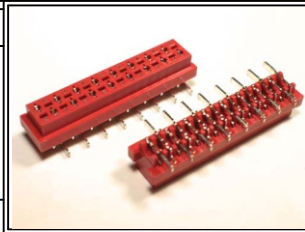
RoHS Compliant

TOLERANCES ARE

**MORETHANALL**  
 PCB CONNECTORS  
 Cable ASSEMBLIES

DRAWING BY CY  
 CHECKED BY GENIUS  
 UNIT / mm SCALE 1 : 1  
 DATE

X. ±  
 .X ±  
 .XX ±  
 .XXX ±  
 ANG ±



ORDER INFORMATION

MIM-SV-xx-LF  
 SERIES | LEADFREE  
 04-26WAY  
 180°SMT  
 FEMALE

煜倫股份有限公司

www.morethanall.com

SIZE A4 PPROJECTION

DESCRIPTION: 2.54mm PCB Connector SMD Type Packing list