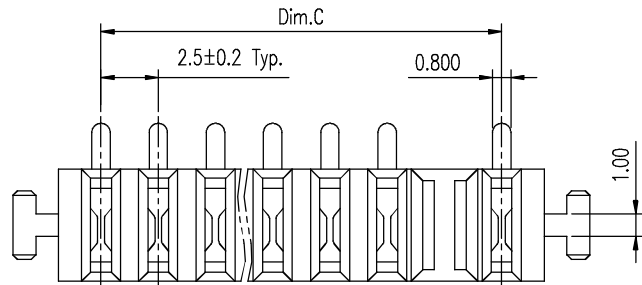


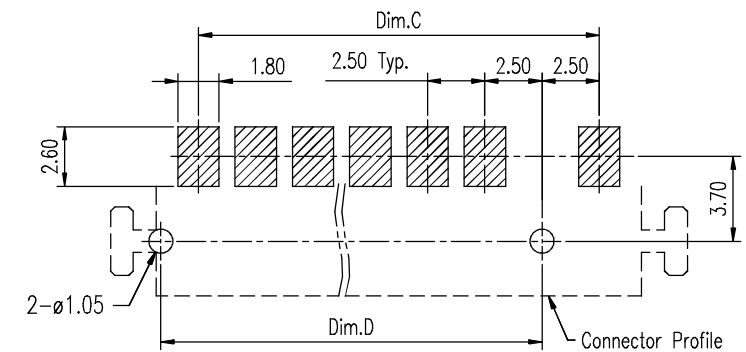
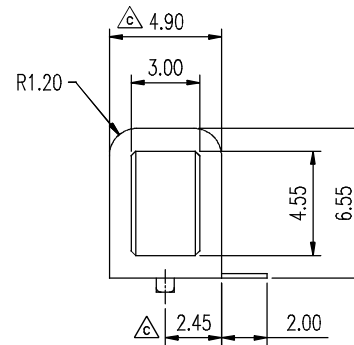
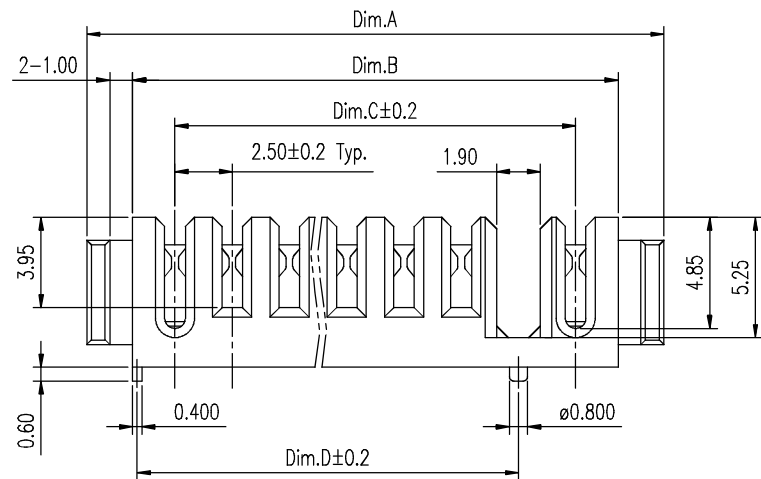
Notes:

1. Material:
Housing: Thermoplastic UL 94V-0, Black
Terminal: Copper Alloy
2. Finish:
Terminal: Selected Gold on Contact Area,
Gold Flash on Solder Tails, Both over
50u" Min. Nickel Under-plated Overall



Dimension Information:

Part No.	Dim.	Amount of Pins	Dim.A	Dim.B	Dim.C	Dim.D
BCC25-SV65R2P-05		5	20.20	16.20	12.50	11.65
BCC25-SV65R2P-07		7	25.20	21.20	17.50	16.65
BCC25-SV65R2P-10		10	32.70	28.70	25.00	24.15



Recommended P.C.B. Layout
Layout Tolerance = ± 0.05mm

RoHS Compliant

TOLERANCES ARE

MORETHANALL
PCB CONNECTORS
Cable ASSEMBLIES

DRAWING BY CY

X. ±

CHECKED BY GENIUS

.X ± 0.38

UNIT / mm

SCALE 1 : 1

.XX ± 0.25

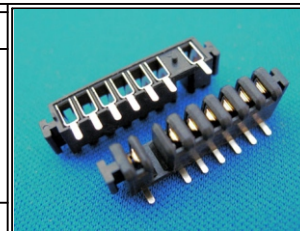
DATE

.XXX ± 0.13

ANG ±

SIZE A4

PJECTION



ORDER INFORMATION

BCC25-SV65R2P-xx-LF

SERIES | | | LEADFREE
05~10WAY
POST
FEMALE | | | RIGHT KEY #2
HIGH 6.55mm
180°SMT

煜倫股份有限公司

www.morethanall.com

DESCRIPTION: 2.5mm Pitch Battery Conn. Female Type