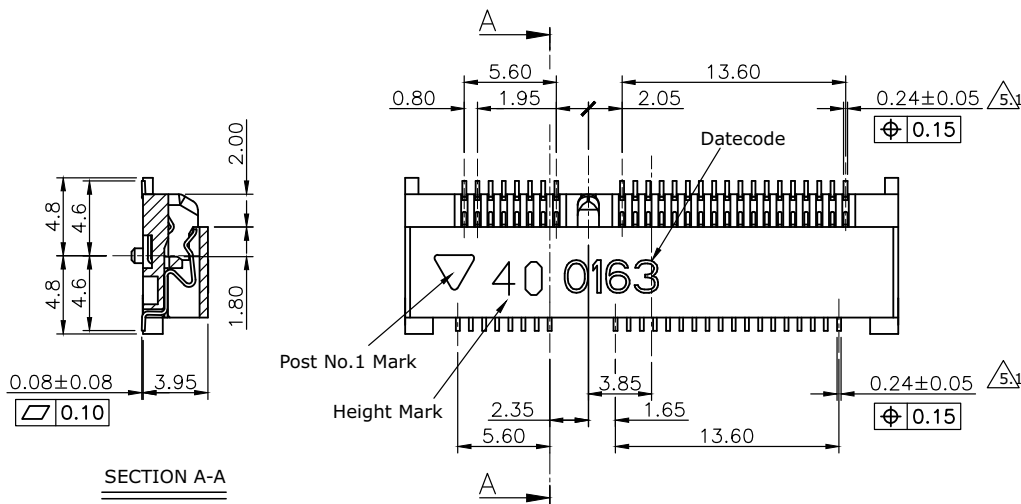


SPECIFICATION:

1. ELECTRICAL
 - 1.1 Current Rating: 0.5A per pin
 - 1.2 Voltage Rating: 50V AC
 - 1.3 Contact Resistance: 55 Max
 - 1.4 Insulation Resistance: 500M Min
 - 1.5 Dielectric Withstanding Voltage: 300VAC
2. MECHANICAL
 - 2.1 Durability: 50 Cycles
 - 2.2 Total Mating/Unmating Force: 2.3Kgf max.
3. ENVIRONMENTAL
 - 3.1 Operating temperature range: -40ş ~+85ş
 - 3.2 Storage temperature range: -40ş ~+85ş
4. SOLDER ABILITY
 - 4.1 Recommended IR-Reflow Temperature: 260ş 10Sec

3	HOLDDOWN	Brass, Tin plated under nickel plating
2	CONTACT	Phosphor Bronze, contact area: G/F solder area: Tin, under plating Nickel
1	HOUSING	LCP UL94V-0, Black
NO.	PART NAME	DESCRIPTION



MORETHANALL
PCB CONNECTORS
Cable ASSEMBLIES

煜倫股份有限公司

www.morethanall.com

RoHS Compliant

DRAWING BY CY

CHECKED BY GENIUS

UNIT / mm

SCALE 1 : 1

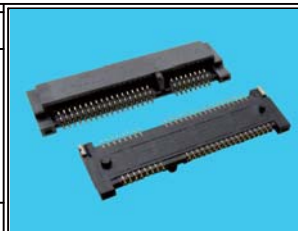
DATE

SIZE A4

TOLERANCES ARE

X, ±
.X ± 0.50
.XX ± 0.25
.XXX ± 0.12
ANG ±

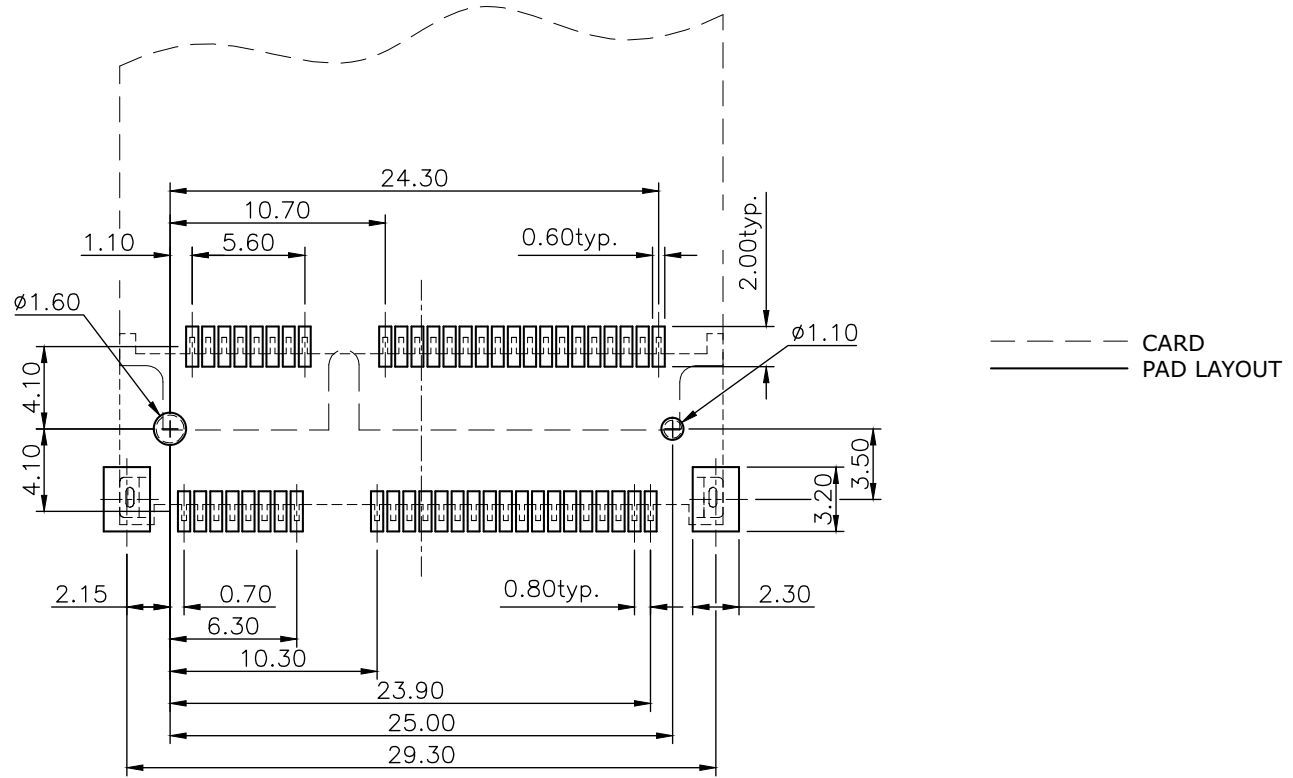
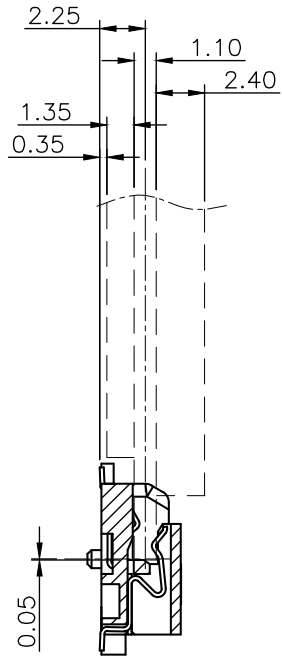
PJECTION



ORDER INFORMATION

MPCI-W40-052-LF
SERIES | LEADFREE
52 WAY
HIGH 4.0mm
90°SMT

DESCRIPTION: Mini PCI Express Socket H:4.0mm



RECOMMEND LAYOUT (TOP VIEW)

RoHS Compliant

TOLERANCES ARE

MORETHANALL
PCB CONNECTORS
Cable ASSEMBLIES

DRAWING BY CY

X, ±

CHECKED BY GENIUS

.X ± 0.50

UNIT / mm

SCALE 1 : 1

.XX ± 0.25

DATE

.XXX ± 0.12

ANG ±

SIZE A4

PPOJECTION



ORDER INFORMATION

MPCI-W40-052-LF

SERIES | LEADFREE
52 WAY
HIGH 4.0mm
90°SMT

煜倫股份有限公司

www.morethanall.com

DESCRIPTION: Mini PCI Express Socket H:4.0mm