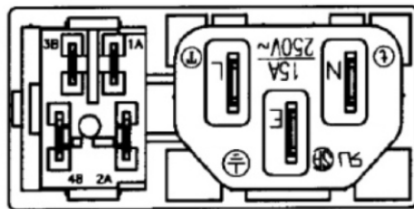
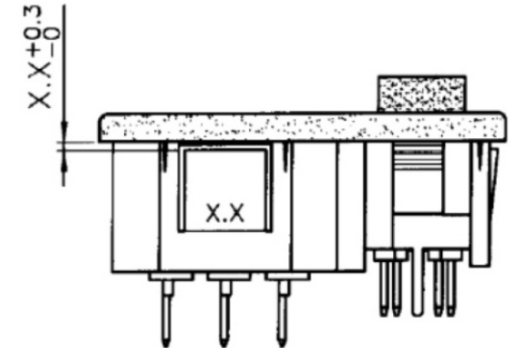
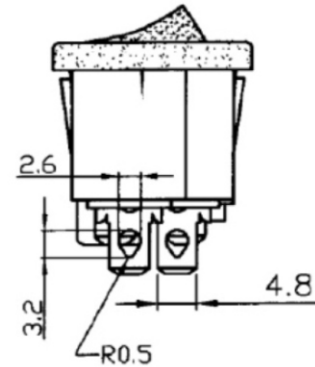
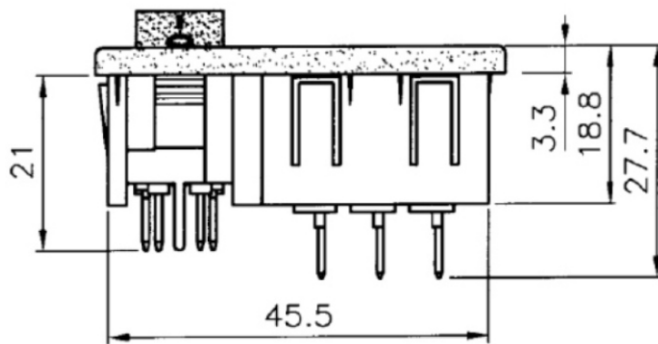
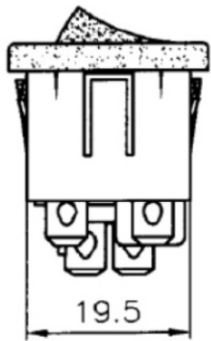


Part No.	X.X
ACF-PQ4SWPA08-03H	0.8
ACF-PQ4SWPA10-03H	1.0
ACF-PQ4SWPA15-03H	1.5
ACF-PQ4SWPA20-03H	2.0

PANEL CUTOUT



SOCKET
 Rating:15A 250V AC
 Approvals:UL/CSA
 Rating:10A 250V AC
 Approvals:VDE/KEMA/DEMKO/
 NEMKO/SEV/FIMKO/
 SEMKO/CCC

SWITCH
 Rating:10A 250V AC 1/3HP TV-5
 Approvals:UL/CSA
 Rating:8A/80A 250V AC T85
 10(4)A 250V AC T85
 Approvals:VDE/DEMKO/NEMKO/
 FIMKO/SEMKO/CQC/KTL

RoHS Compliant

TOLERANCES ARE

MORETHANALL
 PCB CONNECTORS
 Cable ASSEMBLIES

DRAWING BY CY

X. ±

CHECKED BY GENIUS

.X ±

UNIT / mm

SCALE 1 : 1

.XX ±

DATE

.XXX ±

ANG ±

SIZE A4

PJECTION



ORDER INFORMATION

ACF-PQ4SWPAxx-03H-LF
 SERIES | | | | LEADFREE
 | | | | HORIZONTAL
 | | | | 03 WAY
 MALE | | | |
 4.8mm TAB | | | | 08:0.8mm
 SWITCH | | | | 20:2.0mm
 | | | | PANEL FRONT

煜倫股份有限公司

www.morethanall.com

DESCRIPTION: