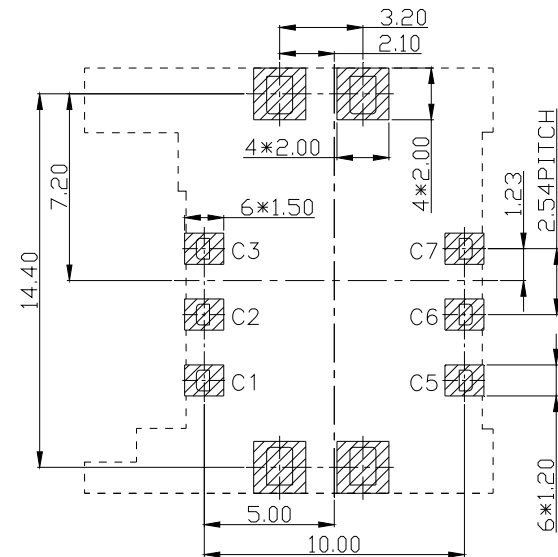


Unit: mm; Tolerances: ± 0.15 mm

Figure 5.1 Mechanical outline dimension (w/o post)



Unit: mm; Tolerances: ± 0.05 mm

Figure 5.2 Reference dimension for PCB layout (w/o post)

Note:

1. Coplanarity of solder pins 0.10mm max.
2. Recommended thickness of solder paste > 0.15mm.

RoHS Compliant

TOLERANCES ARE

MORETHANALL
PCB CONNECTORS
Cable ASSEMBLIES

DRAWING BY CY

X. \pm

CHECKED BY GENIUS

.X \pm

UNIT / mm

SCALE 1 : 1

.XX \pm

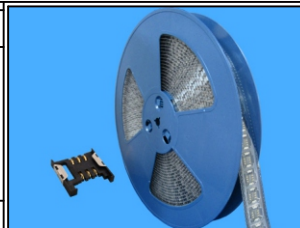
DATE

.XXX \pm

ANG \pm

SIZE A4

P PROJECTION



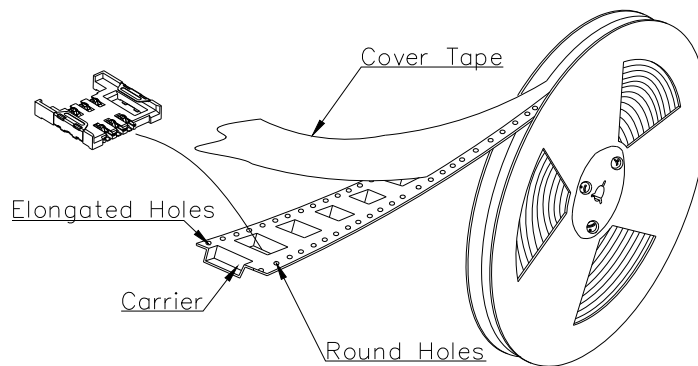
ORDER INFORMATION

SCU-W1028XR-06-LF
SERIES | | | | | LEADFREE
| | | | | 06 WAY
| | | | | REEL
| | | | | NON POST
90°SMT | | | | | BODY HIGH 2.8mm
| | | | | PAD TO PAD 10.0mm

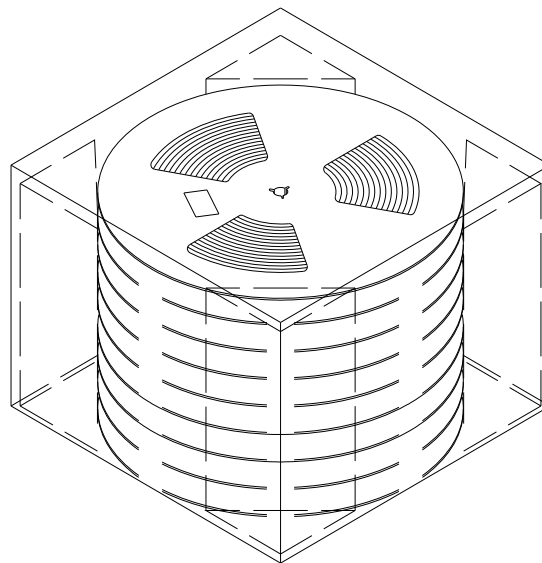
煜倫股份有限公司

www.morethanall.com

DESCRIPTION:



N.W.: 0.39 KGS
G.W.: 0.92 KGS
Q'TY: 700 PCs per reel
Meas.: dia. 33 CM, W 3.2 CM



N.W.: 2.8 KGS
G.W.: 8.26 KGS
Q'TY: 5,600 PCs per carton
 (8 reels set in order)
Meas.: 36.5L x 36.5W x 36.0H CM

RoHS Compliant

TOLERANCES ARE

MORETHANALL
 PCB CONNECTORS
 Cable ASSEMBLIES

煜倫股份有限公司

www.morethanall.com

DRAWING BY CY

CHECKED BY GENIUS

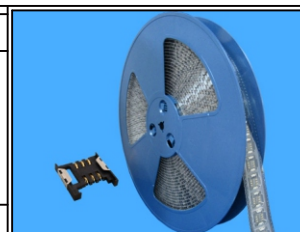
UNIT / mm SCALE 1:1

DATE

SIZE A4

X. ±
 .X ±
 .XX ±
 .XXX ±
 ANG ±

PPOJECTION



ORDER INFORMATION

SCU-W1028XR-06-LF
 SERIES | | | | LEADFREE
 | | | | 06 WAY
 | | | | REEL
 | | | | NON POST
 90°SMT | | | | BODY HIGH 2.8mm
 | | | | PAD TO PAD 10.0mm

DESCRIPTION: