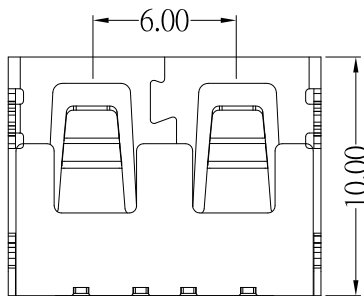
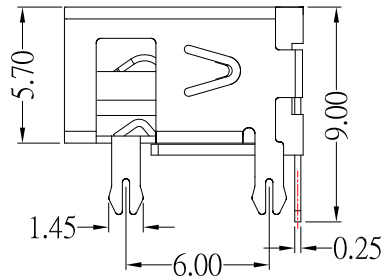
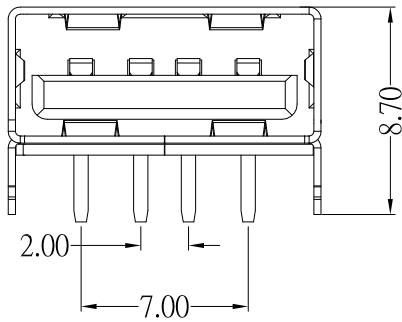


P.C.B LAYOUT MOUNTING PATTERN



**SPECIFICATIONS**

**Electrical:**

- 1.Contact Resistance: 30 mΩ Max
- 2.Dielectric Withstanding Voltage: 500 V AC / 1 minute
- 3.Insulation Resistance: 1,000 MΩ Min

**Mechanical:**

- 1.Connector Mate and Unmate Force
  - 1.1 Mate force: 35 N (Max)
  - 1.2 Unmate force: 10N (Min)

**Material:**

- 1.Housing: PBT
- 2.Contact: Copper Alloy
- 3.Shell: Brass / Spcc

**Finish:**

- 1.Contact: Plated Gold in Mating Area ;  
Tin Plated on Solder Balls ;  
Nickel under plated overall
- 2.Shell: Nickel under Plated surface layer

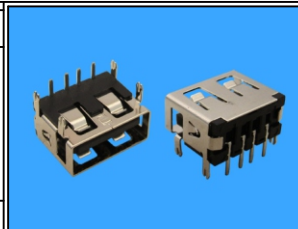
**RoHS Compliant**

TOLERANCES ARE

**MORETHANALL**  
PCB CONNECTORS  
Cable ASSEMBLIES

DRAWING BY CY  
CHECKED BY GENIUS  
UNIT / mm SCALE 1 : 1  
DATE

Up to 5 ±0.2  
Above 5 ~ 15 ±0.3  
Above 15 ~ 30 ±0.4  
Above 30 ~ 50 ±0.5  
Angle ±0.3°



**ORDER INFORMATION**

**SUB-SRRVZZFXBK-4A-LF**  
SERIES | LEADFREE  
4 PIN A TYPE  
BLACK  
NON FLANGE  
FEMALE | CLIPX2  
DIP 90° | REVERSED

**煜倫股份有限公司**

www.morethanall.com

SIZE A4 PROJECTION

DESCRIPTION: USB AF 短體 10.0 無捲邊 4腳 反向